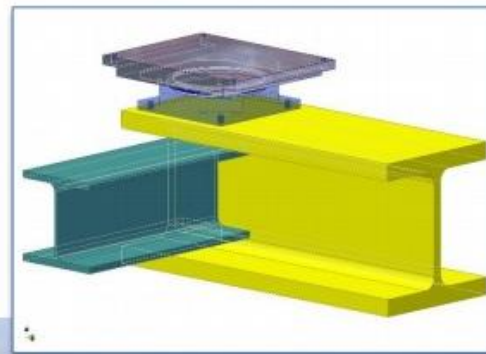


SLIDING BEARINGS PG FOR PIPELINES, BRIDGES, STEEL- AND CONCRETE CONSTRUCTIONS



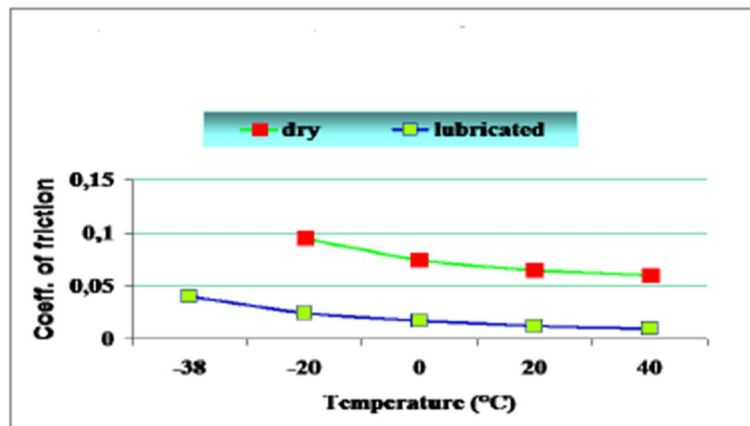
PG Systemtechnik have know-how and experience of more than 30 years in design, manufacturing and sales of sliding bearings..

Many project in Europe and worldwide have been supplied succesfully.

The whole range covers al supply and design of PTFE sliding bearings for power plants, pipe constructions and civil engineering.

The fully rufurbished line PGslide[®] bearing technology comes with following advantages:

- maximun load up to 30.000kN
- Tempreature s up to 550°C
- Very low coefficient of friction (for PTFE see below chart)
- Optimized design: small, universally connectable, cost efficient
- Full service including desgin, manufacturing andf assembly of bearings (on request)



Sliding bearings PGslide®

The production program:

- Flat sling bearings
- Spherical bearings
- Point rocker bearings
- Roller bearings
- High temperature bearings
- Special type bearings
- And much more...

