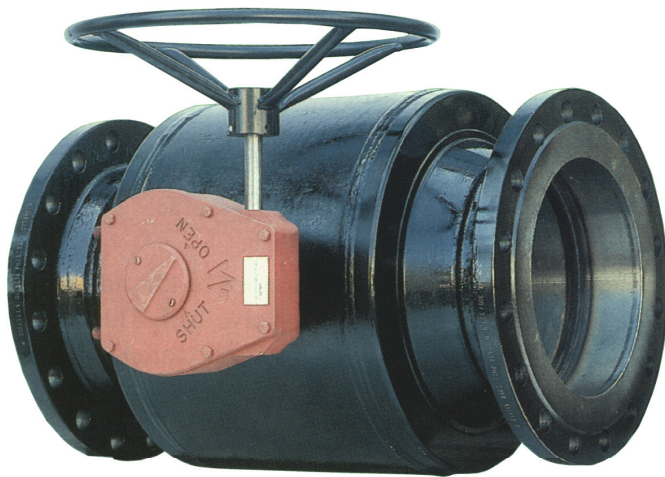


BALL VALVE Type HKSF-W



Thanks to its proven operating reliability and design construction, the RMA ball valve of the HKSF series is suitable for use in gas and oil pipelines, as well as for measurement and control stations, pig traps and compressor stations.

It is an extremely sturdy, maintenance free, fully welded construction.

The RMA ball valve is characterized by the following:

Up to and including PN 25, sealing is achieved using elastomer sealing rings with special profiles. For constructions up to PN 100/ANSI 600, sealing is achieved firstly with metal sealing surface and secondly with PTFE soft sealing rings.

The metal sealing surface of the ring seat is ground in together with the valve ball. This solution offers optimum results for both, safe sealing and wear resistance, even in case of a medium laden with impurities.

In accordance with requirements, each seating ring is additionally equipped with a sealing pressure system. For PN 100 / ANSI 600, the sealing of the spindle is achieved using four independent seals.

The spindle may be changed during operation. The fourth seal consists of a pressure injection of a plastic sealing agent and can be applied from the outside.

Models for underground installation are also available.

Supply Program:

Size	DN 50 - DN 400 DN 2" - DN 16"
Pressure stages	PN 16 - 25 - 100 ANSI 150 - 600
Connections	Flanges - Weld-on ends

Double Block and Bleed

The "double block and bleed" principle allows to verify tightness when the valve is in either the fully open or closed position by bleeding the body cavity via the vent or drain connections.

Anti-static Design

Ball plug and valve body have metallic contact. This excludes build-up of static electricity.

Fire-safe Design

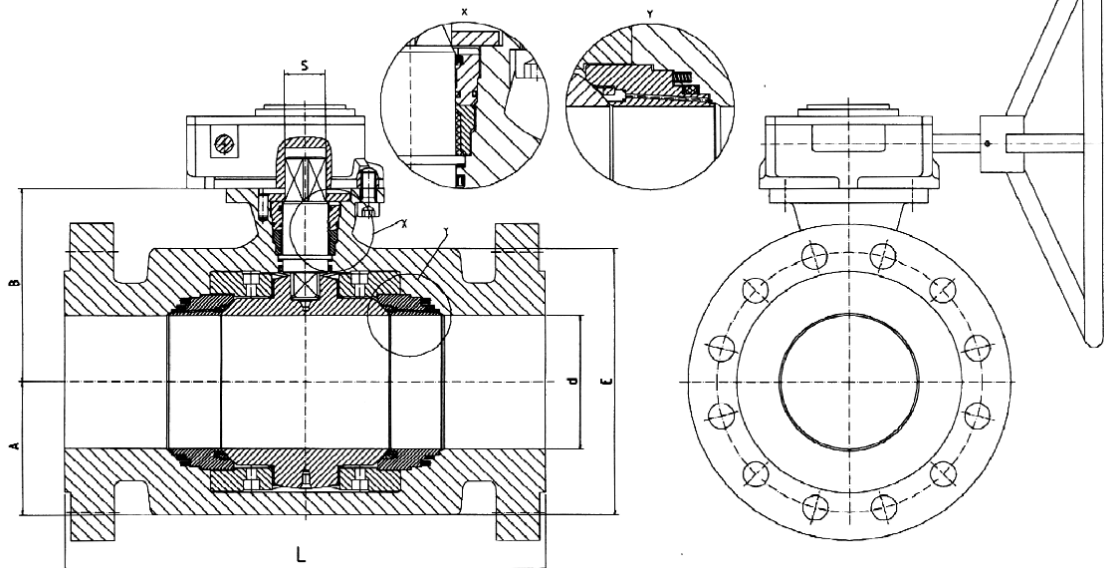
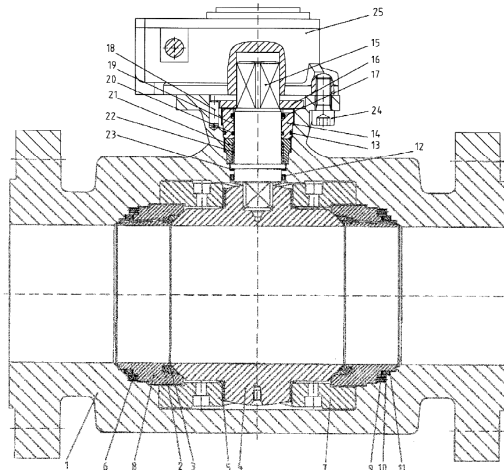
RMA ball valves are fire-safe to the most stringent standards presently applicable for oil, gas and production pipelines.

Maintenance-free

RMA ball valves require no lubrication or maintenance.

Ball valve
Type HKSF - double sided flanged
PN 64/70 / ANSI 400
PN 100 / ANSI 600

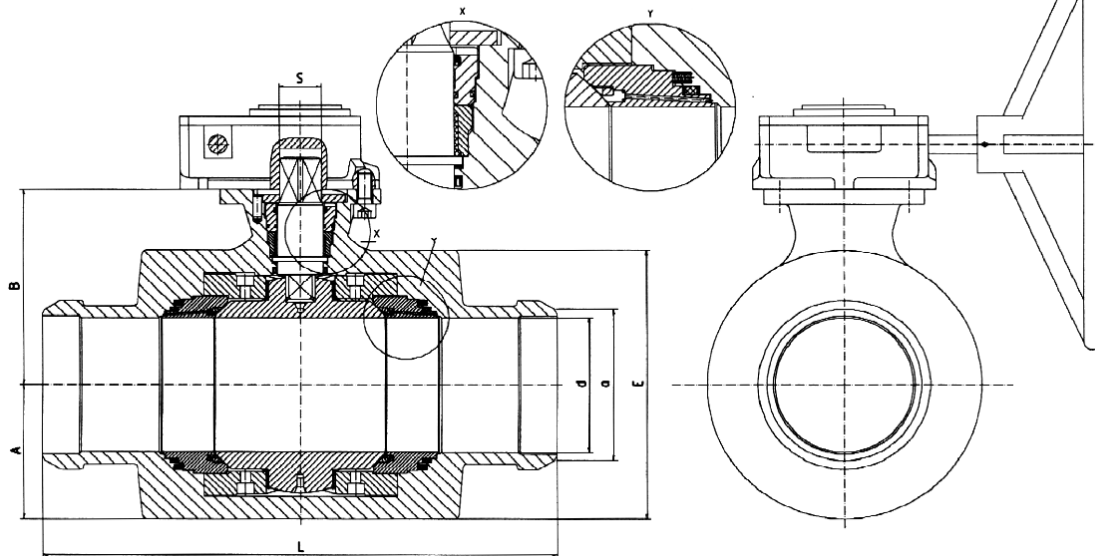
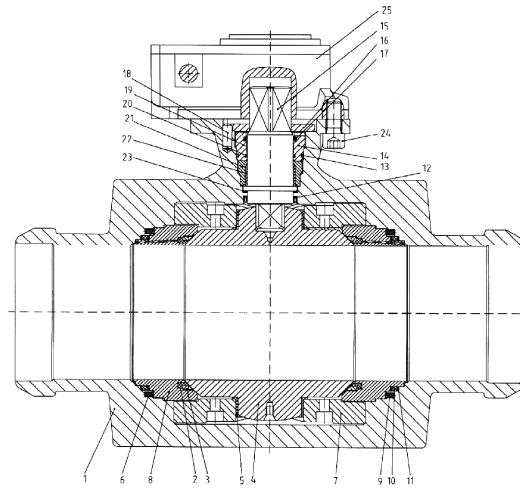
Pos.	Description
1	Housing
2	Seal
3	Clamping ring
4	Ball
5	Plain bearing
6	Compression spring
7	Guide plate
8	Pick-up ring
9	Back-up ring
10	O-seal
11	Pick-up ring
12	Turcon-Variaseal
13	O-seal
14	Thrust piece upper
15	Switching spindle
16	Stop disc
17	Wiper ring
18	Straight pin
19	Antisize
20	O-seal
21	Thrust piece under
22	Plain bearing
23	Slide ring
24	Hex. Socket head cap screw
25	Gear



DN size	80	100	150	200	250	300	400
	3"	4"	6"	8"	10"	12"	16"
L	356	432	559	660	787	838	991
d	78	102,3	154,1	220	247,6	298	390
B	140	170,5	217	250	327	363,5	439,4
A	80	96,8	150	185	235	279,5	355
E	160	193,7	300	370	470	559	710
S	22	27	36	36	46	46	55

Ball valve Type HKSF - double sided weld-on ends PN 64/70 / ANSI 400 PN 100 / ANSI 600

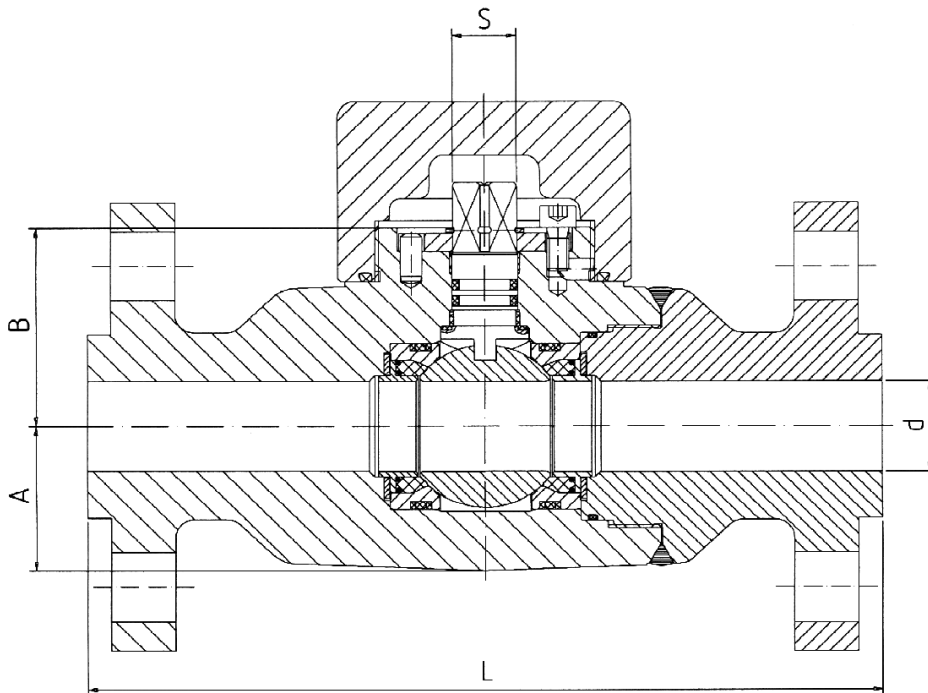
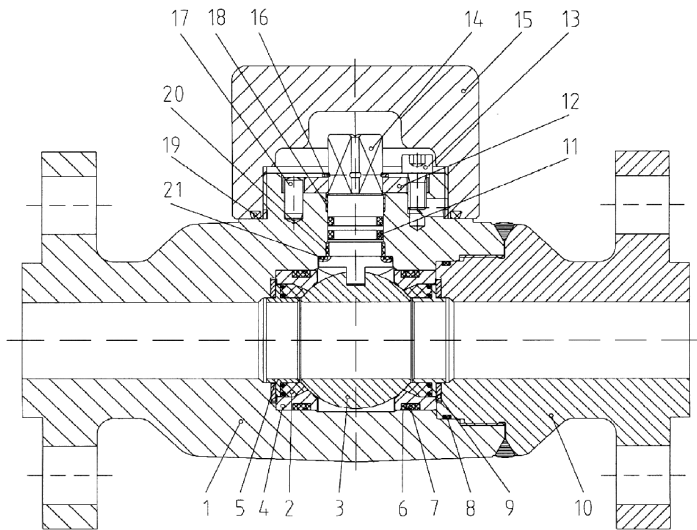
Pos.	Description
1	Housing
2	Seal
3	Clamping ring
4	Ball
5	Plain bearing
6	Compression spring
7	Guide plate
8	Pick-up ring
9	Back-up ring
10	O-seal
11	Pick-up ring
12	Turcon-Variaseal
13	O-seal
14	Thrust piece upper
15	Switching spindle
16	Stop disc
17	Wiper ring
18	Straight pin
19	Antisize
20	O-seal
21	Thrust piece under
22	Plain bearing
23	Slide ring
24	Hex. Socket head cap screw
25	Gear



DN	80	100	150	200	250	300	400
size	3"	4"	6"	8"	10"	12"	16"
L	356	432	559	660	787	838	991
d	78	102,3	154,1	220	247,6	298	390
a	88,9	114,3	168,3	219,1	273	323,9	406,4
B	140	170,5	217	250	327	363,5	439,4
A	80	96,8	150	185	235	279,5	355
E	160	193,7	300	370	470	559	710
S	22	27	36	36	46	46	55

Ball valve
Type HKSF - double sided flanges
PN 64/70 / ANSI 400
PN 100 / ANSI 600

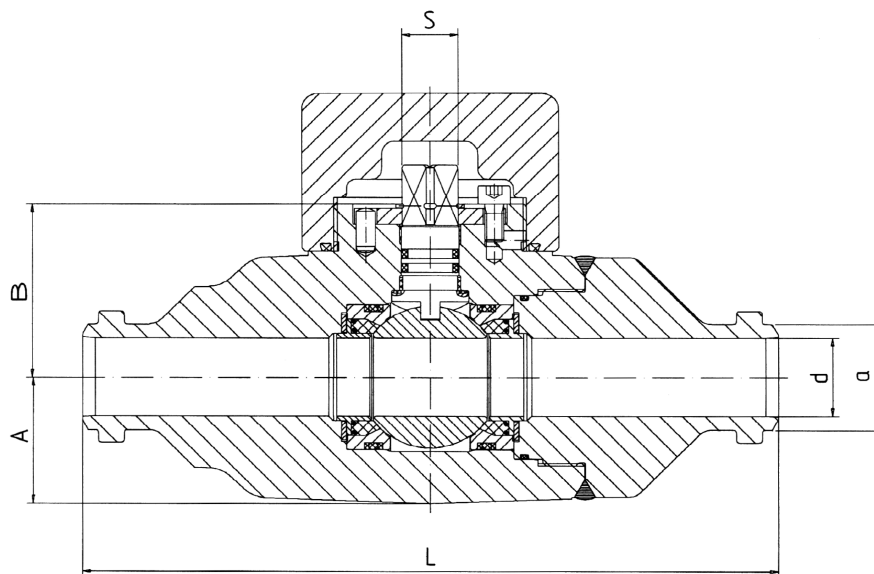
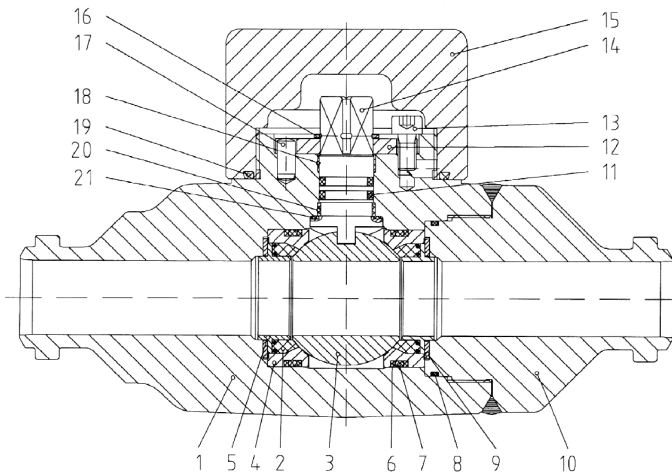
Pos.	Description
1	Housing
2	Seal
3	Ball
4	Bearing
5	Pick-up ring
6	Back-up ring
7	O-ring
8	O-ring
9	Disk spring
10	Screw nut
11	O-ring
12	Stop disk
13	Hex. Socket head cap screw
14	Switching spindle
15	Protection cap
16	Sealing ring
17	Straight pin
18	Antisize
19	O-ring
20	O-ring
21	Disk



DN size	25 1"	50 2"
L	216	292
d	25	49
B	55	87
A	40	80,5
S	14	17

Ball valve Type HKSF - double sided weld-on ends PN 64/70 / ANSI 400 PN 100 / ANSI 600

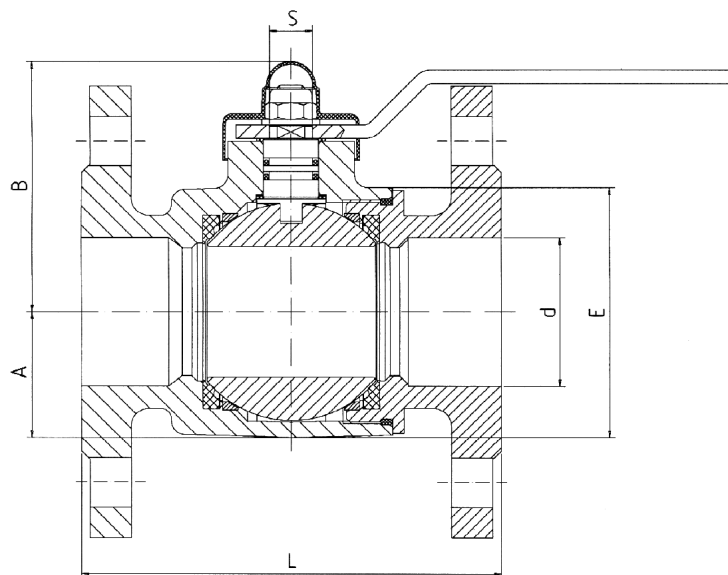
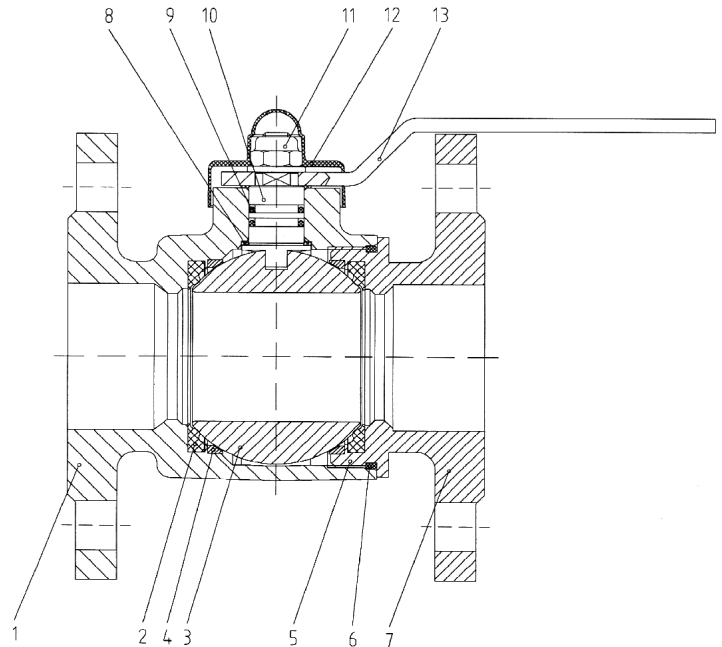
Pos.	Description
1	Housing
2	Seal
3	Ball
4	Bearing
5	Pick-up ring
6	Back-up ring
7	O-ring
8	O-ring
9	Disk spring
10	Screw nut
11	O-ring
12	Stop disk
13	Hex. Socket head cap screw
14	Switching spindle
15	Protection cap
16	Sealing ring
17	Straight pin
18	Antisize
19	O-ring
20	O-ring
21	Disk



DN size	25	50
	1"	2"
L	216	292
d	25	49
a	33,7	60,3
B	55	87
A	40	80,5
S	14	17

Ball valve
Type HKSF - double sided flanges
PN 16/25

Pos.	Description
1	Housing
2	Seal
3	Ball
4	Ring
5	Weld nut
6	O-seal
7	Flanges
8	Washer
9	O-seal
10	Switching spindle
11	Hexagon nut
12	Cap
13	Key

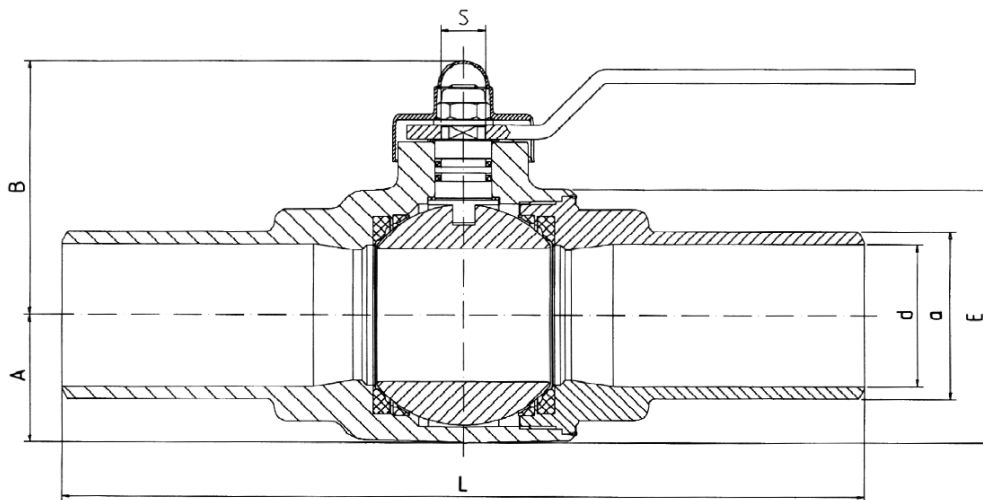
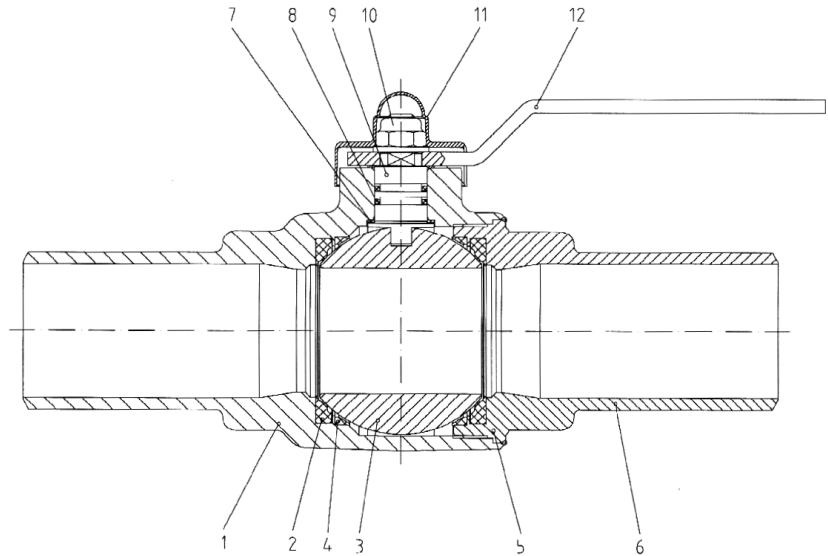


DN size	25	32	40	50	65
	1"	1 1/4"	1 1/2"	2"	2 1/2"
L	160	180	200	150*	290
d	28,5	37,2	40	54,5	70,3
B	44,7	56,4	56,4	61,5	66,4
A	27	41,5	41,5	46	46
E	55	78	78	90	90
S	12	12	12	12	12

*200 resp. 230

Ball valve Type HKSF - double sided weld-on ends PN 16/25

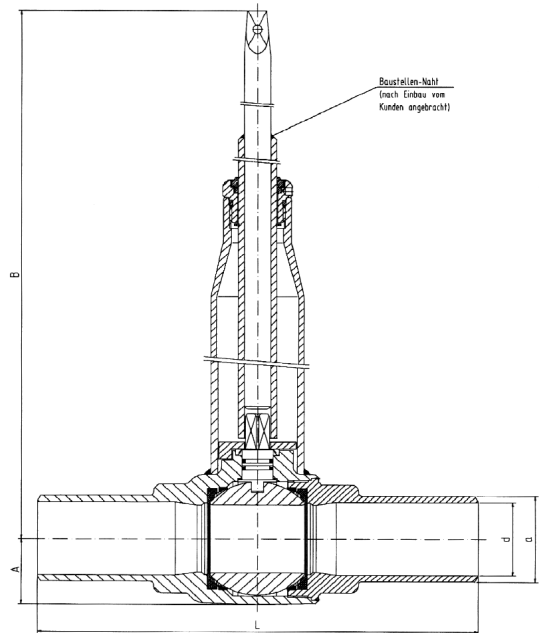
Pos.	Description
1	Housing
2	Seal
3	Ball
4	Ring
5	Weld nut
6	O-seal
7	Flanges
8	Washer
9	O-seal
10	Switching spindel
11	Hexagon nut
12	Cap
13	Key



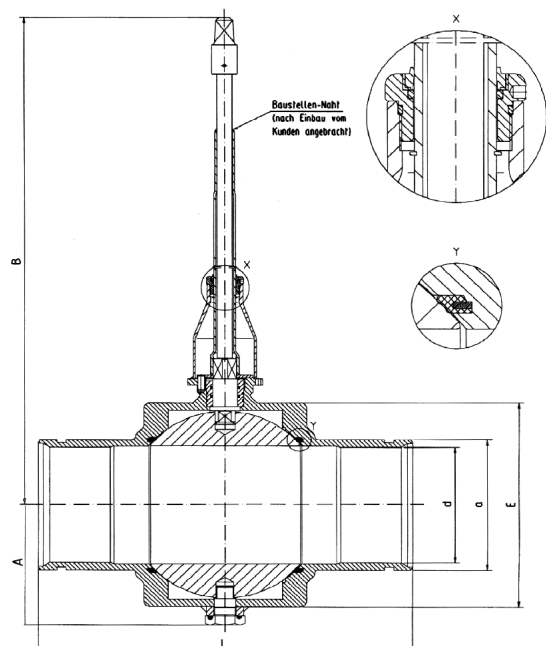
DN size	25	32	40	50	65
	1"	1 1/4"	1 1/2"	2"	2 1/2"
L	500	500	500	500	500
d	25,6	34,7	40,2	51,3	67
a	33,7	42,8	48,3	60,3	76
B	44,7	56,4	56,4	61,5	66,4
A	27	41,5	41,5	46	46
E	55	78	78	90	90
S	12	12	12	12	12

**Ball valve
Type HKSF-E
PN 16/25**

DN	25	32	40	50	65
size	1"	1 1/4"	1 1/2"	2"	2 1/2"
L	500	500	500	500	500
d	25,6	34,7	40,2	51,3	67
a	33,7	42,8	48,3	60,3	76
B	Min. 676 Max. 1026	Min. 689 Max. 1039	Min. 689 Max. 1039	Min. 695 Max. 1045	Min. 695 Max. 1045
A	27	41,5	41,5	46	46
E	55	78	78	90	90

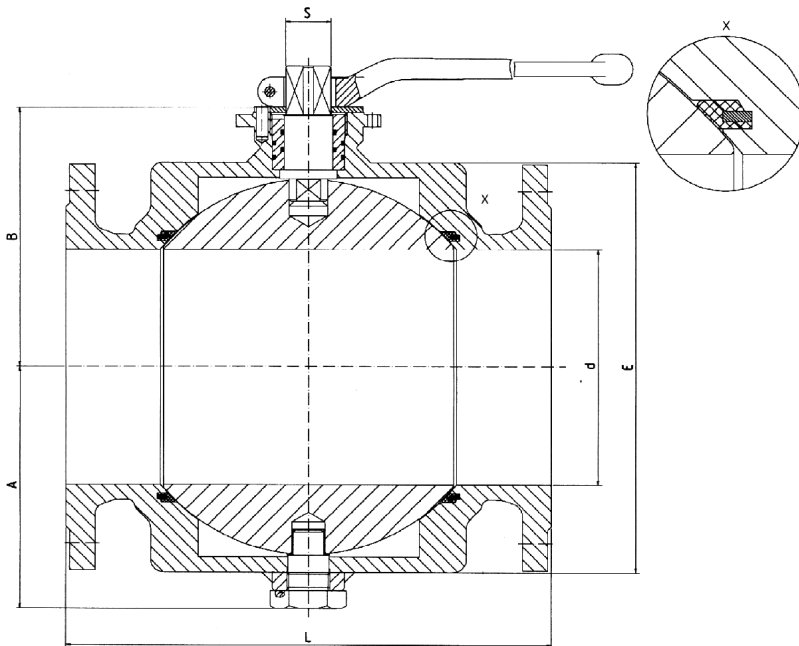
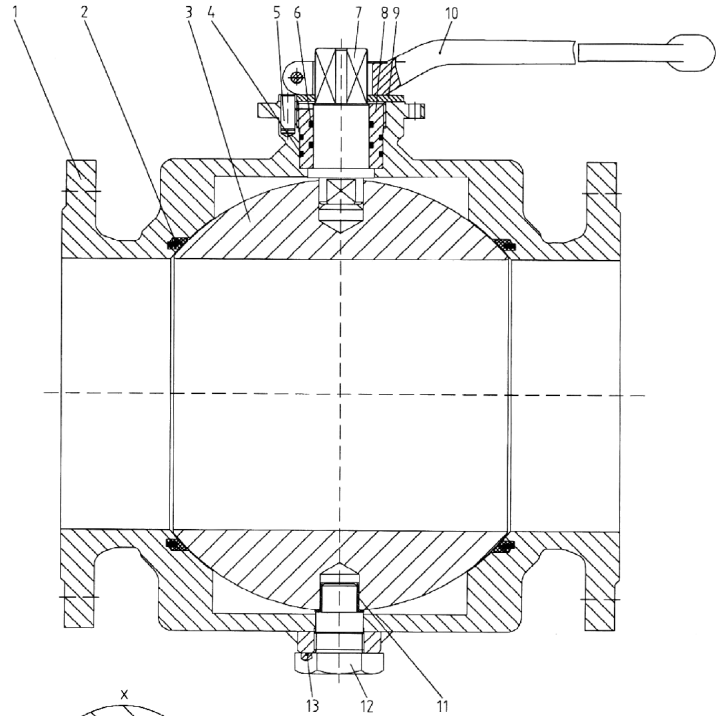


DN	80	100	150	200	250	300
size	3"	4"	6"	8"	10"	12"
L	390	450	600	600	730	850
d	78	101	148,3	194,1	244,6	295,5
a	88,9	114,3	168,3	219,1	273	322,9
B	Min. 710 Max. 1060	Min. 730 Max. 1080	Min. 777 Max. 1127	Min. 820 Max. 1170	Min. 1270 Max. 1750	Min. 1300 Max. 1780
A	111	110	154	202	250	250
E	146	177	254	343	445	508



Ball valve Type HKSF - double sided flanges PN 16/25

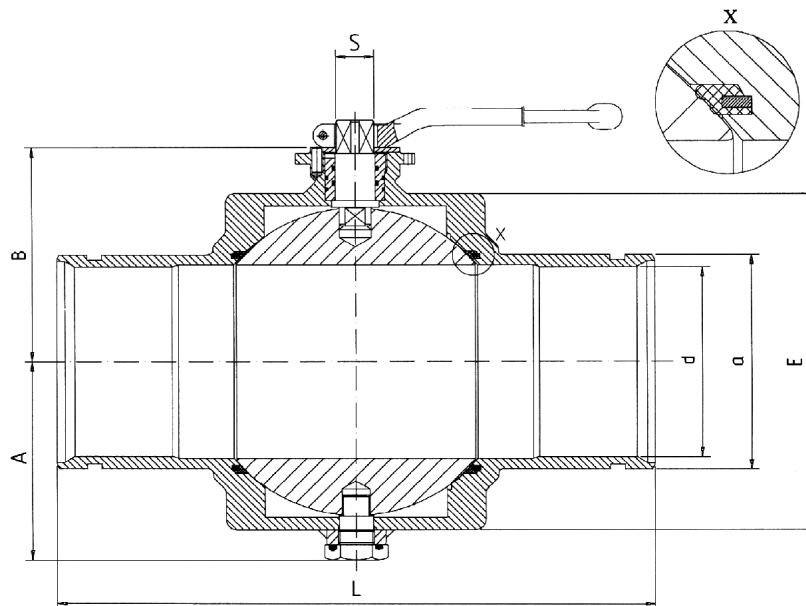
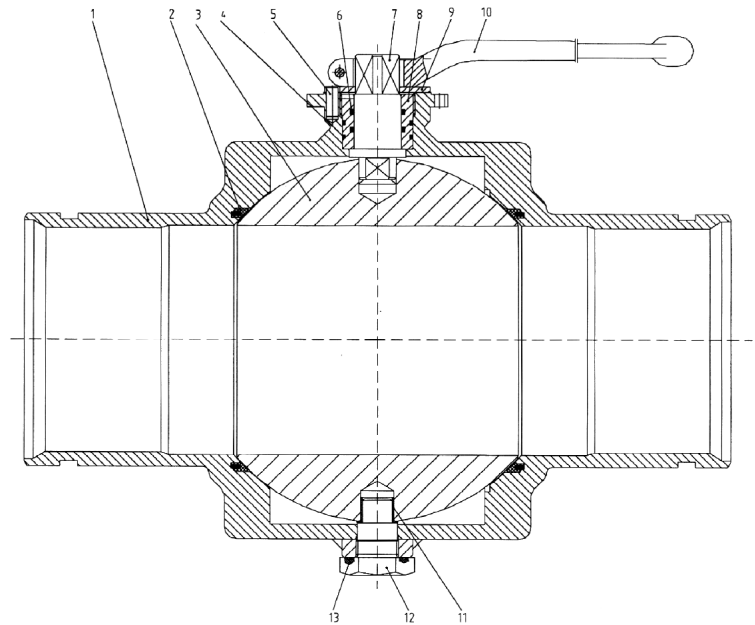
Pos.	Description
1	Housing
2	Seal
3	Ball
4	O-seal
5	Straight pin
6	O-seal
7	Switching spindle
8	Thrust piece
9	Stop disk
10	Key
11	Bearing bush
12	Holding screw
13	O-seal



DN size	80 3"	100 4"	150 6"	200 8"	250 10"	300 12"
L	180	190	350	400	650	750
d	78	98	159	206	260	308
B	100	127	174	219	290	322
A	100	110	154	202	250	254
E	146	177	254	343	445	508
S	22	22	32	32	36	36

Ball valve
Type HKSF - double sided weld-on end
PN 16/25

Pos.	Description
1	Housing
2	Seal
3	Ball
4	Ring
5	Weld nut
6	O-seal
7	Flanges
8	Washer
9	O-seal
10	Switching spindle
11	Hexagon nut
12	Cap
13	Key



DN size	80	100	150	200	250	300
	3"	4"	6"	8"	10"	12"
L	390	450	600	600	730	850
d	78	101	148,5	194,1	244,6	295,5
a	88,9	114,3	168,3	219,1	273	322,9
B	94	127	174	219	290	322
A	111	110	154	202	250	254
E	146	177	254	343	445	508
S	22	22	32	32	36	36

10-15-217

Technical modifications reserved