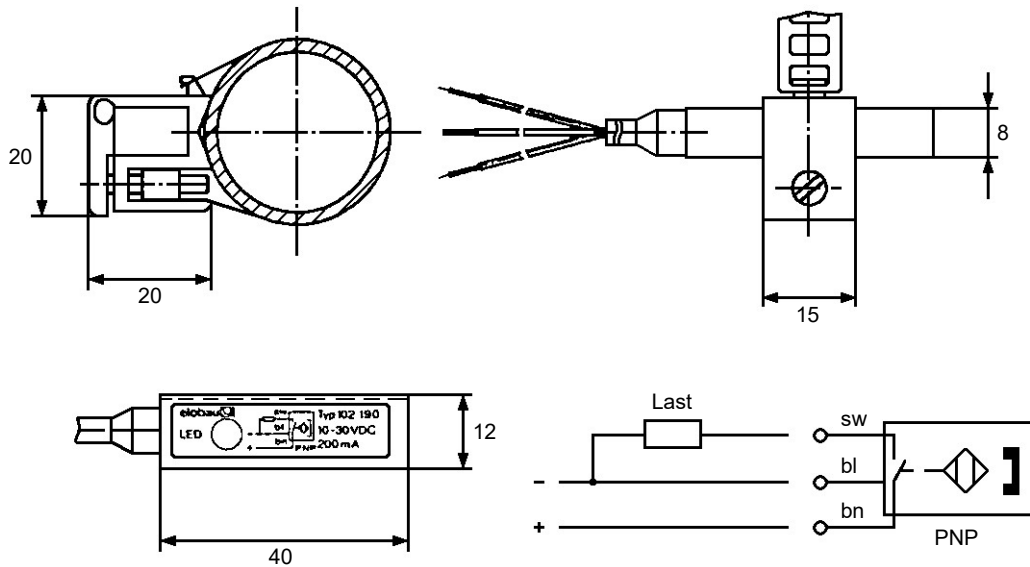


PNEUMATIC SWITCH Type 102190



Technical data	
Switching voltage	10-30 V DC
Switching current	200 mA
Switching frekvens	500 Hz
Operational sensitivity	2 mT*
Exit	Short-circuit protected
Hysterese	Typical 1 mm
Signal	LED (Light Emitting Diode)
Operating temperature	-25 to +75° C
IP Protection	IP 67 (DIN 40 050)
House/cabinet	PI rauch
Standard - tension band with alu-lock	Ø12 - 30 mm - 351060 Ø30 - 70 mm - 351061
Clamps - set	Ø5 - 8 mm - 351064 Ø8 - 12 mm - 351067
At request for larger sizes	