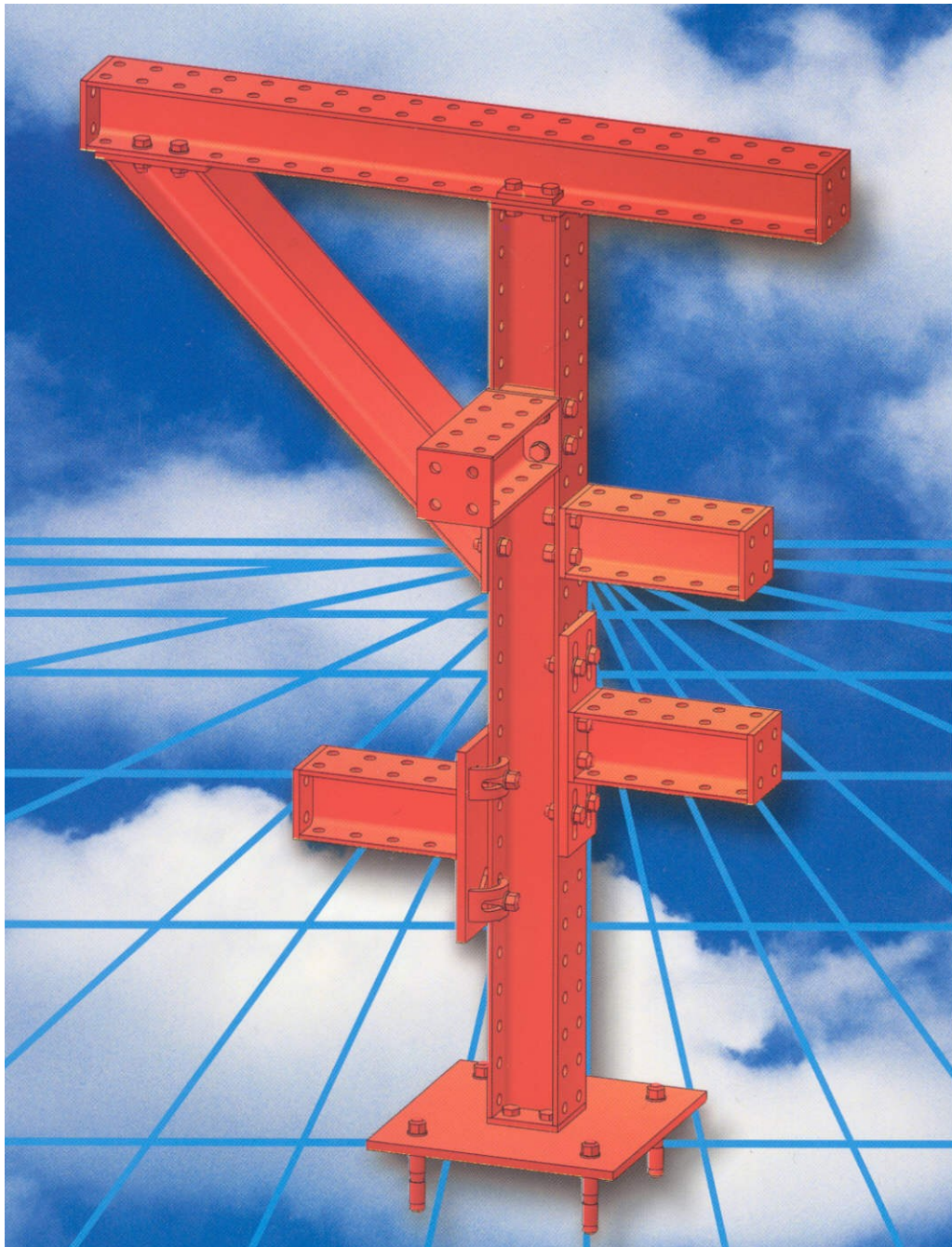


## MODULBÆRINGER I H-PROFIL 80



## Nyt perspektiv indenfor anlægsarbejde

Vi ved af erfaring, at ændringer/forandringer og udbygning "i løbet af" bygningstiden i forøget omfang optræder. Problemer med konstruktionen, anskaffelse og indbygning, ligesom meromkostninger følger.



Som fremtidsorienteret leverandør har vi taget udfordringen op og udviklet et nyt koncept.

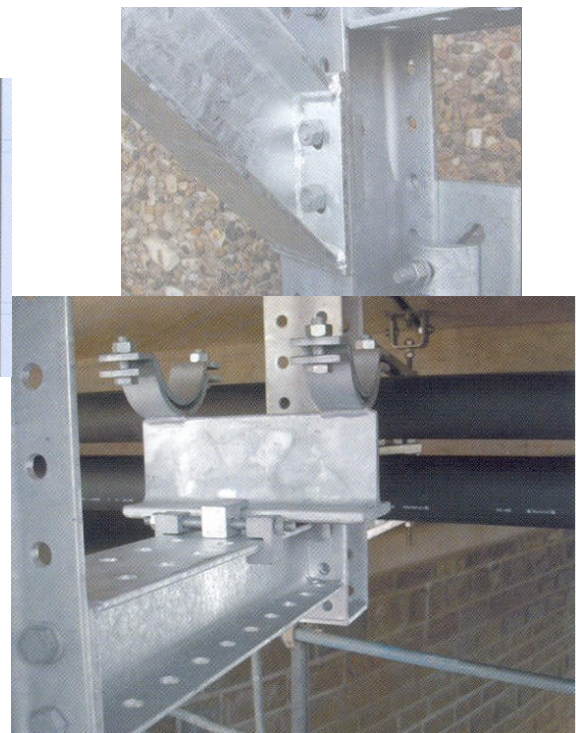
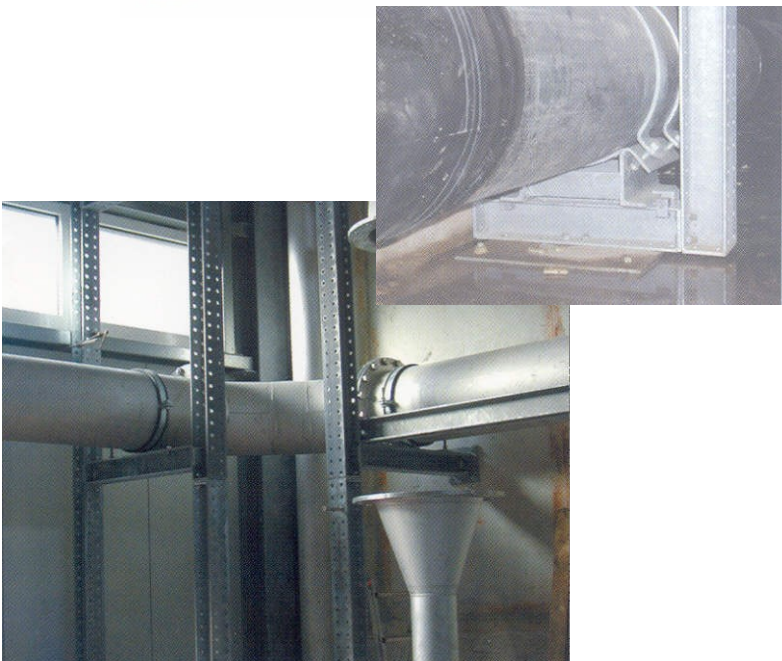


Fordele:

- mindre ressource forbrug iht. tegninger ved standardiserede komponenter
- simplificeret/nem og hurtig montage på byggepladsen
- ingen svejsninger ved montage kun skrueforbindelser
- ingen svejsninger (intet svejse arbejde) ved istandsættelse og eftersyn (inspektion)
- flexible reaktioner på afvigelser og tegningsændringer
- høj anvendelighed med mindre/færre system moduler
- Høj kvalitet i korrosionsbeskyttelse, da alle dele er varmgalvaniseret (duplex coating ved forespørgsel)
- BERNECKER modul beslag og klemsystem er uden problemer let at montere.

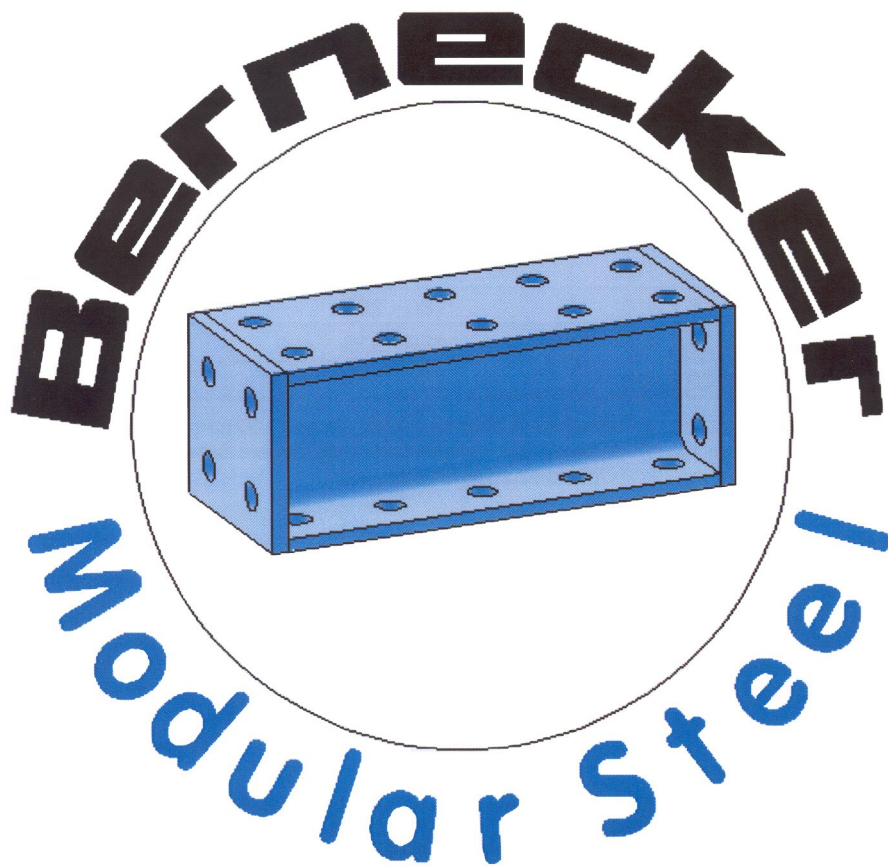
Løsning:

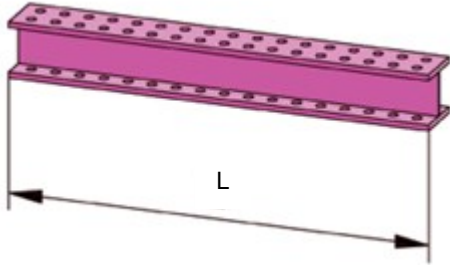
Vores ny udviklede software CD PDS-intergraf kan gøre ændringerne lettere, både tidsbesparende og effektivt. For brugere af AutoCAD og kompatible systemer står et komponent bibliotek til rådighed. BERNECKER Modulbæringer reducerer omkostningerne og hjælper til at forkorte byggetiden og garanterer optimal korrosionsbeskyttelse. Udviklingen af BERNECKER Modulbæringer er et skridt i retningen af tidssvarende arbejde og montage i anlægs- og byggebranchen



## MODULBÆRINGER

### SYSTEM 80

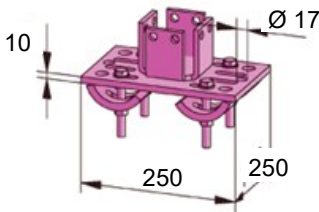




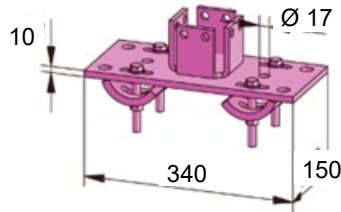
System beam light		
Material: DIN EN 10025		
Finish: fully hot-dip galvanized		
Article no.	L (mm)	Weight (kg)
STL-0295-F	295	3,2
STL-0610-F	610	6,7
STL-0925-F	925	10,2
STL-1240-F	1240	13,6
STL-1555-F	1555	17,1
STL-1870-F	1870	20,6

SYSTEM 80 technical details	
W <sub>pl.y</sub>	35,2 cm <sup>3</sup>
W <sub>pl.z</sub>	18,50 cm <sup>3</sup>
Weight	11,0 kg/m

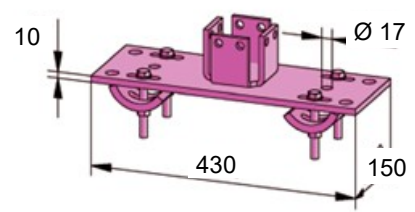
STL-PK-1-F



STL-PK-2-F



STL-PK-3-F

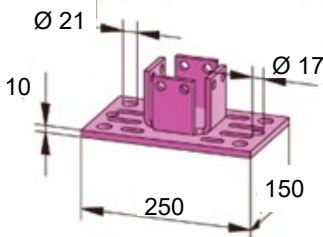


Adapter plate for clamp connection to existing beam

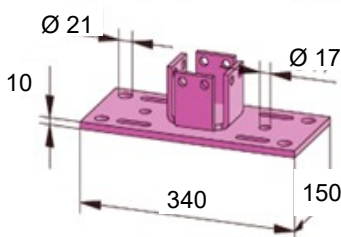
Material: DIN EN 10025, hot-dip galvanized  
Finish: beam clamps premounted, without screws

Article no.	Dimensions (mm)	Connection section (mm)	Weight (kg)
STL-PK-1-F	150 x 250 x 10	80 - 120	5,4
STL-PK-2-F	150 x 340 x 10	130 - 210	6,5
STL-PK-3-F	150 x 430 x 10	220 - 300	7,6

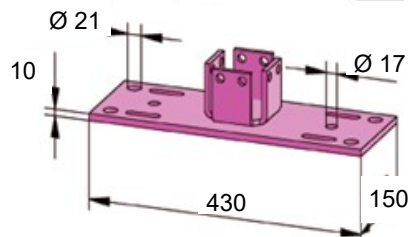
STL-PD-1-F



STL-PD-2-F



STL-PD-3-F



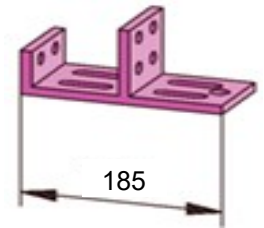
Adapter plate for plug connection or Halfen Cast-in

Material: DIN EN 10025, hot-dip galvanized  
Finish: recommended 2 x M16, plugs and screws are not supplied\*

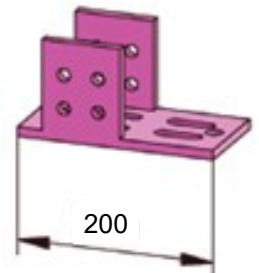
Article no.	Dimensions (mm)	Weight (kg)
STL-PD-1-F	250 x 150 x 10	3,9
STL-PD-2-F	340 x 150 x 10	5,0
STL-PD-3-F	430 x 150 x 10	6,2

\* Plug must be selected in compliance with building control regulations and licences and type selection of the plug manufacturer.

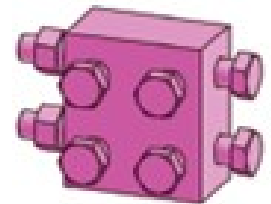
<b>Vertical connection to system beam 80</b> Infinitely variable height adjustment	
Material: DIN EN 10025 Finish: Hot-dip galvanized, without screw fastening	
<b>Article no.</b>	<b>Weight (kg)</b>
STL-PV-1-F	1,6



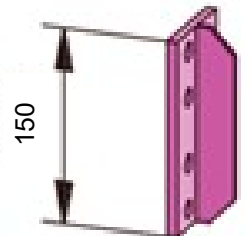
<b>Vertical connection to system beam 80</b> Turned 90° for vertical pipes, Infinitely variable height adjustment	
Material: DIN EN 10025 Finish: Hot-dip galvanized, without screw fastening	
<b>Article no.</b>	<b>Weight (kg)</b>
STL-PV-2-F	2,2



<b>Cross connector to system beam 80</b> Infinitely variable height adjustment	
Material: DIN EN 10025 Finish: Hot-dip galvanized, with screw fastening	
<b>Article no.</b>	<b>Weight (kg)</b>
STL-QAS-F	1,6

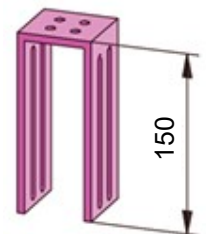


<b>Connection, only for hanging pipes*</b>	
Material: DIN EN 10025 Finish: Hot-dip galvanized, with screw fastening	
<b>Article no.</b>	<b>Weight (kg)</b>
STL-V-F	0,9

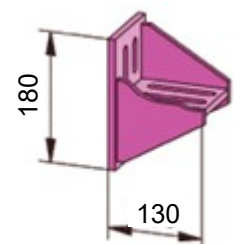


\* Lower load bearing capacity of system by 40%

<b>Vertical stay, to bridge level differences up to 150 mm</b>	
Material: DIN EN 10025 Finish: Hot-dip galvanized, with screw fastening	
<b>Article no.</b>	<b>Weight (kg)</b>
STL-VS-F	4,8

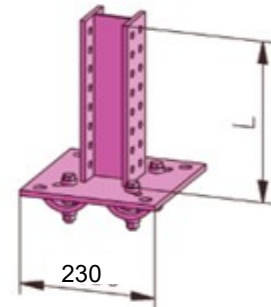


<b>Bridge bearing, to bridge horizontal gaps up to 50 mm</b>	
Material: DIN EN 10025 Finish: Hot-dip galvanized, with screw fastening	
<b>Article no.</b>	<b>Weight (kg)</b>
STL-HS-F	3,9

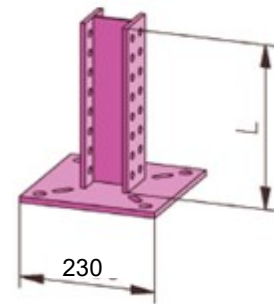


## Standard components

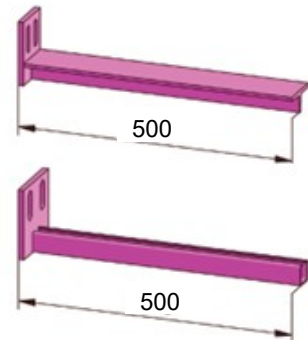
Supporting stand for clamping; connection section 80-120 mm		
Material: DIN EN 10025		
Finish: Hot-dip galvanized		
Article no.	Lenght (mm)	Weight (kg)
STL-SKK-0295-F	295	9,4
STL-SKK-0610-F	610	12,9
STL-SKK-0925-F	925	16,4
STL-SKK-1240-F	1240	19,8



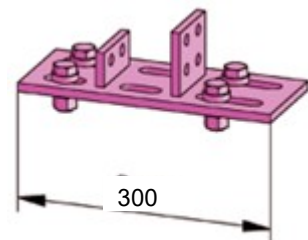
Supporting stand for plug connection; plugplate 230x230x10 mm		
Material: DIN EN 10025		
Finish: Hot-dip galvanized		
Article no.	Lenght (mm)	Weight (kg)
STL-SKD-0295-F	295	7,4
STL-SKD-0610-F	610	10,9
STL-SKD-0925-F	925	14,4
STL-SKD-1240-F	1240	17,8



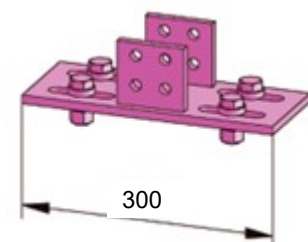
Bracket for system beam		
Material: DIN EN 10025		
Finish: Hot-dip galvanized		
Article no.	Lenght (mm)	Weight (kg)
STL-TB-500-F	500	3,8
STL-HM-500-F	500	1,9



Vertical connection to system 120		
Material: DIN EN 10025		
Finish: Hot-dip galvanized		
Article no.	Lenght (mm)	Weight (kg)
STL-PV-3-F	300	3,8



Vertical connection to system 120, turned 90° for vertical pipes		
Material: DIN EN 10025		
Finish: Hot-dip galvanized		
Article no.	Lenght (mm)	Weight (kg)
STL-PV-4-F	300	4,0

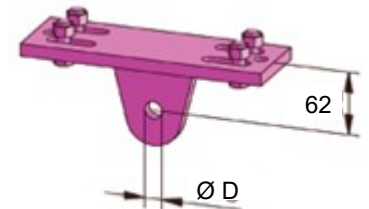




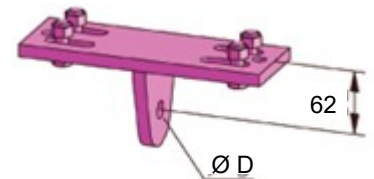
<b>Screw fastening</b>			
<b>Material: DIN EN 10025, Finish: hot-dip galvanized, nuts and bolts loose*</b>			
Article no.	Dimensions (mm)	Remarks	Weight (kg)
STL-S-012x030-F	M12 x 30	incl. M12 nut	0,06
STL-SU-012x035-F	M12 x 35	incl. M12 nut and washer	0,07

\* Please note: for elongated holes screw fastening with washer (STL-SU-12x035-F) is required.

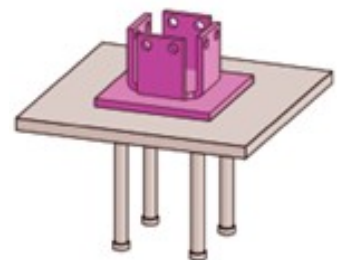
<b>Beam hanger</b>		
<b>Material: DIN EN 10025 Finish: Hot-dip galvanized</b>		
Article no.	D (mm)	Weight (kg)
STL-HP-M12-F	13	2,7
STL-HP-M16-F	17	2,7
STL-HP-M20-F	21	2,7



<b>Beam hanger, Axial</b>		
<b>Material: DIN EN 10025 Finish: Hot-dip galvanized</b>		
Article no.	D (mm)	Weight (kg)
STL-HPA-M12-F	13	2,7
STL-HPA-M16-F	17	2,7



<b>Welding plate for anchor plate for system beam</b>	
<b>Material: DIN EN 10025 Finish: Hot-dip galvanized</b>	
Article no.	Weight (kg)
STL-PA-F	2,7



<b>Cap</b>	
<b>Material: PVC</b>	
Article no.	Weight (kg)
STL-KAPPE-PVC	0,06



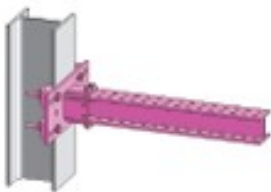
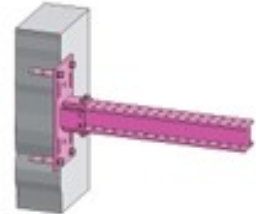














<b>Connecting kit</b>		
<b>Material: DIN EN 10025 Finish: Hot-dip galvanized</b>		
Article no.		Weight (kg)
STL-AS-F	Comprises 4 pcs	2,0
STL-ASD-F (Horizontal)	Comprises 2 pcs	1,9



STL-AS-F



STL-ASD-F

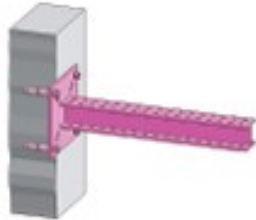
Overview of types cantilever two parts			
UL61K__	UL61D__	<b>Other types on request.</b>	
			
UL64K__	UL64D__		
			
UL68K__	UL68D__	UL67K__	UL67D__
			
UL69K__	UL69D__	UL70K__	UL70D__
			
UL66K__	UL66D__	UL71K__	UL71D__
			

**Overview of types cantilever welded**

UL61K\_0



UL61D\_0



**Other types on request.**

UL64K\_\_0



UL64D\_\_0



UL68K\_\_0



UL68D\_\_0



UL67K\_\_0



UL67D\_\_0



UL69K\_\_0



UL69D\_\_0



UL70K\_\_0



UL70D\_\_0



UL66K\_\_0



UL66D\_\_0



UL71K\_\_0



UL71D\_\_0



## Assembly instructions

BERNECKER ModularSteel is extremely versatile and easy to assemble thanks to its relatively small number of system components. There are a number of important rules that must be followed however:

The system components are completely hot-dip galvanized and all necessary holes are predrilled at our factory. Drilling or welding on the components affects their loadbearing capacity and should be avoided.

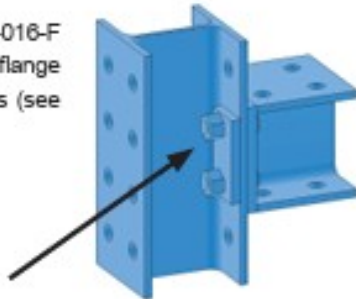
### Assembly in general

The screw fastenings\* must be used as shown in the sketch and tightened with the prescribed torque (Tab.1).

Tab. 1	ModularSteel 120	ModularSteel 80
Torque	120 Nm	80 Nm
* Screw fastenings always tightened with prescribed tool		

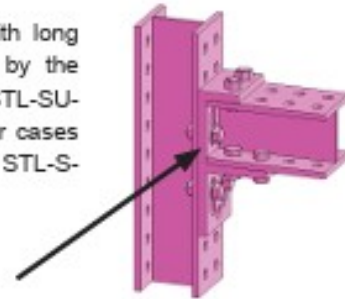
### ModularSteel 120:

Washer plates\* STB-U-016-F must be fitted on the flange side in all 90° connections (see sketch).



### ModularSteel 80:

Screw connections with long holes must be fitted by the screw fastening\* STL-SU-012x035-F. In all other cases the screw fastening\* STL-S-012x030-F is used.



### Adapter plate assembly

Position the system beams and screw them with the provided screw fastening\* in the adapter plate.

### Adapter plate for clamp connection

Slacken the connection kit STL-AS-F / STB-AS-F supplied, align to desired beam and clamp tight.



**Caution:** The bolt\* must be straight and clamps be parallel to each other.

### Adapter plate for plug connection

Please refer to table 2 for the types of chosen plugs which our stress calculations are based upon. Other marketable products can be used if their loadbearing capacity is proved and if they apply to the clearance hole. The plugs must be set according to the instructions and building control approvals of the plug manufacturer.

Tab. 2	ModularSteel 120	ModularSteel 80
Adapter plate	STB-APD-50-F	STL-PD-x-F
	STB-APD-B-50-F	
Plug	Liebig plug B M16-25/55/15	Liebig anchor AB M12-20/80/15
	Fischer FAZ 12/30	

### Note on the static loadings:

The loadings shown in this document have been calculated based on a static model using certain assumptions and parameters. Despite taking every precaution and applying the accepted rules of engineering practice and the applicable standards, we can only guarantee the loadings for the static cases illustrated in this catalogue. Under no circumstances can we give any guarantee or warranty in the case of deviations from models, constraints and static assumptions.

## Inquiry / Order sheet

Matchcode	Article no.		weight / piece	order quantity
080101	STL-0295-F		3,2 kg	
080102	STL-0610-F		6,7 kg	
080103	STL-0925-F		10,2 kg	
080104	STL-1240-F		13,6 kg	
080105	STL-1555-F		17,1 kg	
080106	STL-1870-F		20,6 kg	
080201	STL-PK-1-F		5,4 kg	
080202	STL-PK-2-F		6,5 kg	
080203	STL-PK-3-F		7,6 kg	
080204	STL-PD-1-F		3,9 kg	
080205	STL-PD-2-F		5,0 kg	
080206	STL-PD-3-F		6,2 kg	
080207	STL-PA-F		2,7 kg	
080301	STL-S-012x030-F		0,1 kg	
080302	STL-SU-012x035-F		0,1 kg	
080401	STL-PV-1-F		1,6 kg	
080402	STL-PV-2-F		2,2 kg	
080403	STL-QAS-F		1,6 kg	
080404	STL-V-F		0,9 kg	
080411	STL-PV-3-F		3,8 kg	
080412	STL-PV-4-F		4,0 kg	
080501	STL-VS-F		4,8 kg	
080502	STL-HS-F		3,9 kg	
080601	STL-SKK-0295-F		9,4 kg	
080602	STL-SKK-0610-F		12,9 kg	
080603	STL-SKK-0925-F		16,4 kg	
080604	STL-SKK-1240-F		19,8 kg	
080611	STL-SKD-0295-F		7,4 kg	
080612	STL-SKD-0610-F		10,9 kg	
080613	STL-SKD-0925-F		14,4 kg	
080614	STL-SKD-1240-F		17,8 kg	
080621	STL-TB-500-F			3,8 kg
080622	STL-HM-500-F		1,9 kg	
080701	STL-HP-M12-F		2,7 kg	
080702	STL-HP-M16-F		2,7 kg	
080703	STL-HP-M20-F		2,7 kg	
080711	STL-HPA-M12-F		2,7 kg	
080712	STL-HPA-M16-F		2,7 kg	
080704	STL-Kappe-PVC		0,1 kg	
080705	STL-AS-F		2,0 kg	
080706	STL-ASD-F		1,9 kg	

Client no.: .....

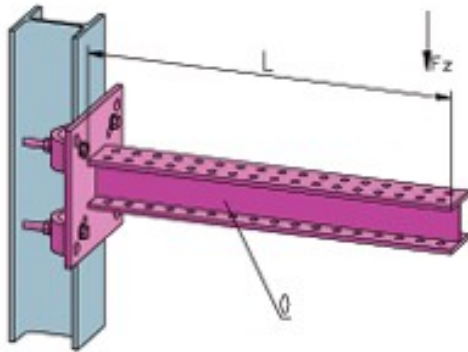
Name: .....

Project: .....

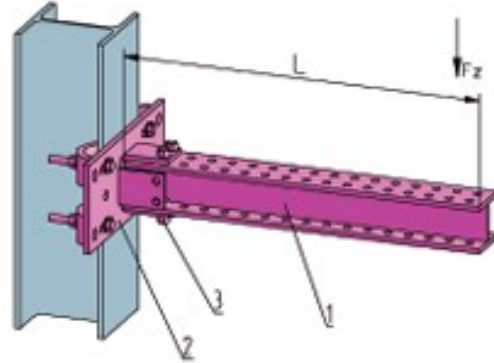
Date: .....

Company stamp / Signature: .....

UL61K\_0



UL61K\_ \_



**Cantilever UL61K\_0** (Connection section 80-120)

	L	A	B	C	D	E	F
	295	610	925	1240			
Fz [kN]	6,2	4,3	2,8	2,1			
kg	9,4	12,9	16,9	19,8			

**Cantilever UL61K\_1** (Connection section 80-120)

	L	A	B	C	D	E	F
	295	610	925	1240	1555	1870	
Fz [kN]	5,8	2,7	1,7	1,3	1,0	0,8	
kg	10,2	13,7	17,2	20,8	24,1	27,8	

**Cantilever UL61K\_2** (Connection section 130-210)

	L	A	B	C	D	E	F
	295	610	925	1240	1555	1870	
Fz [kN]	3,1	1,4	0,9	0,7	0,5	0,4	
kg	11,3	14,8	18,3	21,7	25,2	28,7	

**Cantilever UL61K\_3** (Connection section 220-300)

	L	A	B	C	D	E	F
	295	610	925	1240	1555	1870	
Fz [kN]	2,0	0,9	0,6	0,4	0,3	0,2	
kg	12,4	15,9	19,4	22,8	26,3	29,8	

Pos.0: STL-SKK-0295-F up to STL-SKK-1240-F (Connection section 80-120)

Pos.1: STL-0295-F up to STL-1870-F

Pos.2: 1 = STL-PK-1-F (Connection section 80-120) or  
2 = STL-PK-2-F (Connection section 130-210) or  
3 = STL-PK-3-F (Connection section 220-300)

Pos.3: STL-S-012x030-F (4x)

Example: UL61KC2 = Cantilever, clamp connection, L=925 mm, STL-PK-2-F, Fz=0,9 kN

**UL61D\_0**

**UL61D \_\_**

**Cantilever UL61D\_0 (Plugplate 230x230x10)**

	L	A	B	C	D	E	F
	295	610	925	1240			
	Fz [kN]	8,5	4,0	2,8	1,9		
	kg	7,4	10,9	14,4	17,8		

**Cantilever UL61D\_1 (Plugplate 150x250x10)**

	L	A	B	C	D	E	F
	295	610	925	1240	1555	1870	
	Fz [kN]	2,9	1,3	0,8	0,8	0,5	0,4
	kg	8,3	11,8	15,3	18,7	22,2	25,7

**Cantilever UL61D\_2 (Plugplate 150x340x10)**

	L	A	B	C	D	E	F
	295	610	925	1240	1555	1870	
	Fz [kN]	3,1	1,4	0,9	0,8	0,5	0,4
	kg	9,3	12,8	16,3	19,7	23,2	26,7

**Cantilever UL61D\_3 (Plugplate 150x430x10)**

	L	A	B	C	D	E	F
	295	610	925	1240	1555	1870	
	Fz [kN]	3,0	1,4	0,9	0,8	0,5	0,4
	kg	10,3	13,9	17,4	20,8	24,3	27,8

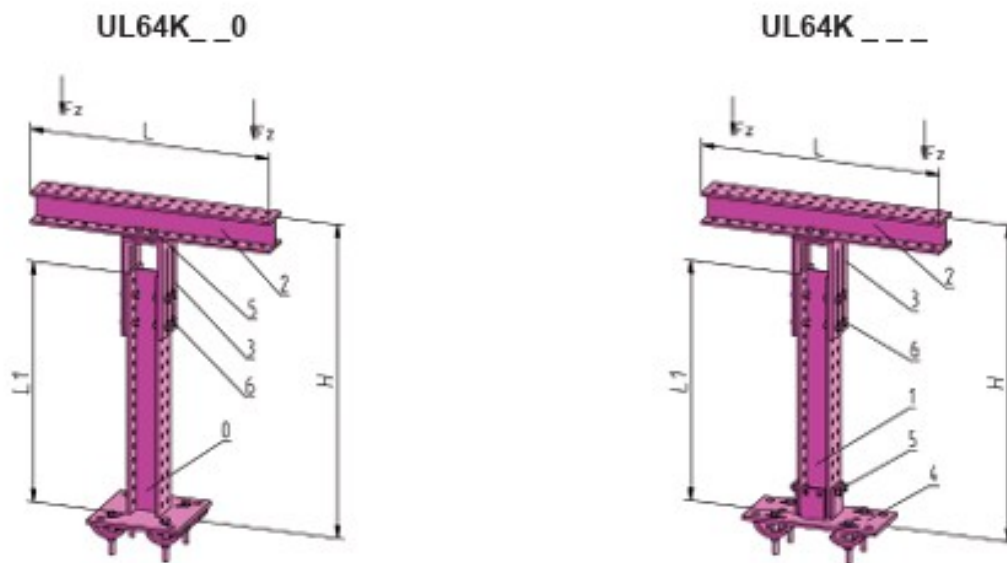
**Pos.0:** STL-SKD-0295-F up to STL-SKD-1240-F (Centres of holes 180x180)

**Pos.1:** STL-0295-F up to STL-1870-F

**Pos.2:** 1 = STL-PD-1-F (Centres of holes 100x200) or  
2 = STL-PD-2-F (Centres of holes 100x290) or  
3 = STL-PD-3-F (Centres of holes 100x380)

**Pos.3:** STL-S-012x030-F (4x)

**Example:** UL61D\_0 = Cantilever, plug connection, L=610 mm, STL-SKD-0810-F, Fz=4,0 kN



**T-Support UL64K\_\_0 (Connection section 80-120)**

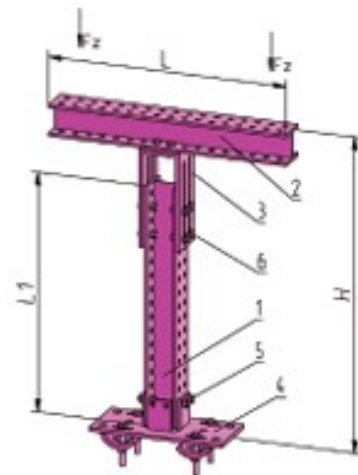
	L1	A	B	C	D		
		295	610	925	1240		
H		395-545	710-860	1025-1175	1340-1490		
<b>_B L=610</b>	Fz [kN]	3,8	3,5	3,2	3,0		
	kg	21,7	25,2	28,7	32,1		
<b>_C L=925</b>	Fz [kN]	2,5	2,4	2,3	2,2		
	kg	25,2	28,7	32,2	35,8		
<b>_D L=1240</b>	Fz [kN]	1,9	1,8	1,8	1,7		
	kg	28,6	32,1	35,8	39,0		

**T-Support UL64K\_\_1 (Connection section 80-120)**

	L1	A	B	C	D	E	F
		295	610	925	1240	1555	1870
H		421-554	719-869	1034-1184	1349-1499	1664-1814	1979-2129
<b>_B L=610</b>	Fz [kN]	3,8	3,3	2,8	2,1	1,8	1,6
	kg	22,5	26,0	30,1	32,9	36,4	39,9
<b>_C L=925</b>	Fz [kN]	2,5	2,4	2,2	1,9	1,6	1,4
	kg	26,0	30,1	33,0	36,4	39,9	43,4
<b>_D L=1240</b>	Fz [kN]	1,9	1,8	1,8	1,7	1,5	1,3
	kg	29,4	33,0	36,4	39,8	43,3	46,8

**Pos.0:** STL-SKK-0295-F up to STL-SKK-1240-F (Connection section 80-120)  
**Pos.1:** STL-0295-F up to STL-1870-F      **Pos.2:** STL-0610-F up to STL-1240-F      **Pos.3:** STL-VS-F  
**Pos.4:** 1 = STL-PK-1-F (Connection section 80-120) or  
2 = STL-PK-2-F (Connection section 130-210) or  
3 = STL-PK-3-F (Connection section 220-300)  
**Pos.5:** STL-S-012x030-F (4x or 8x)      **Pos.6:** STL-SU-012x035-F (8x)  
**Example:** UL64KCB1 = T-Support, clamp connection, L1=925 mm, L=610 mm, STL-PK-1-F, Fz=2,6 kN

UL64K \_ \_ \_



**T-Support UL64K\_2** (Connection section 130-210)

	L1	A_	B_	C_	D_	E_	F_
		H	421-554	719-869	1034-1184	1349-1499	1664-1814
<b>_B L=610</b>	Fz [kN]	3,8	3,2	2,5	2,1	1,8	1,5
	kg	23,6	27,1	30,6	34,0	37,5	41,0
<b>_C L=925</b>	Fz [kN]	2,5	2,4	2,2	1,8	1,6	1,4
	kg	27,1	30,6	34,1	37,5	40,9	44,5
<b>_D L=1240</b>	Fz [kN]	1,9	1,8	1,8	1,7	1,5	1,3
	kg	30,5	34,0	37,5	40,9	44,4	47,9

**T-Support UL64K\_3** (Connection section 220-300)

	L1	A_	B_	C_	D_	E_	F_
		H	421-554	719-869	1034-1184	1349-1499	1664-1814
<b>_B L=610</b>	Fz [kN]	3,8	2,7	2,1	1,7	1,5	1,3
	kg	24,7	28,2	31,7	35,1	38,6	42,1
<b>_C L=925</b>	Fz [kN]	2,5	2,2	1,8	1,5	1,3	1,2
	kg	28,2	31,7	35,2	39,1	42,1	45,6
<b>_D L=1240</b>	Fz [kN]	1,9	1,8	1,8	1,4	1,2	1,1
	kg	31,6	35,2	38,6	42,0	45,5	49,0

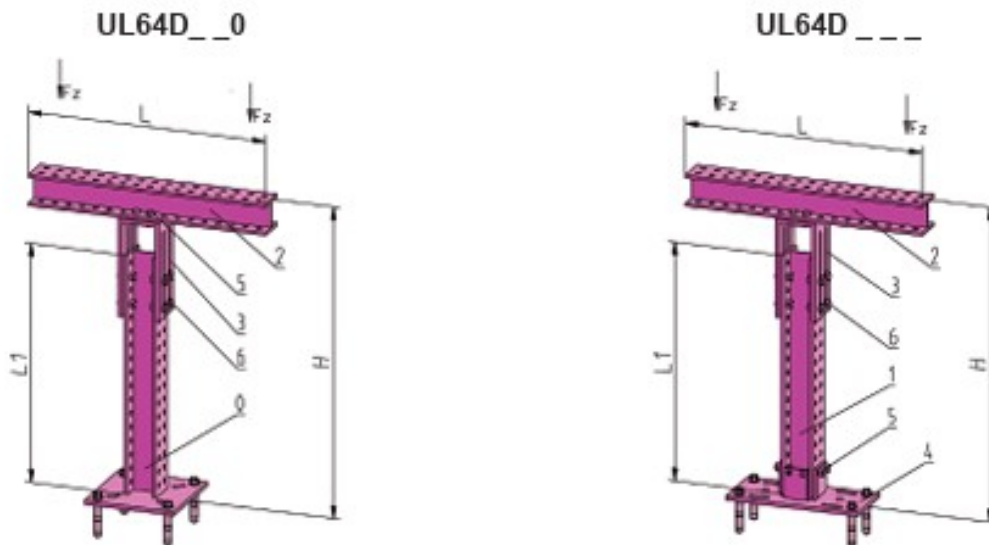
**Pos.0:** STL-SKK-0295-F up to STL-SKK-1240-F (Connection section 80-120)

**Pos.1:** STL-0295-F up to STL-1870-F      **Pos.2:** STL-0610-F up to STL-1240-F      **Pos.3:** STL-VS-F

**Pos.4:** 1 = STL-PK-1-F (Connection section 80-120) or  
2 = STL-PK-2-F (Connection section 130-210) or  
3 = STL-PK-3-F (Connection section 220-300)

**Pos.5:** STL-S-012x030-F (4x or 8x)      **Pos.6:** STL-SU-012x035-F (8x)

**Example:** UL64KDC3 = T-Support, clamp connection, L1=1240 mm, L=925 mm, STL-PK-3-F, Fz=1,5 kN



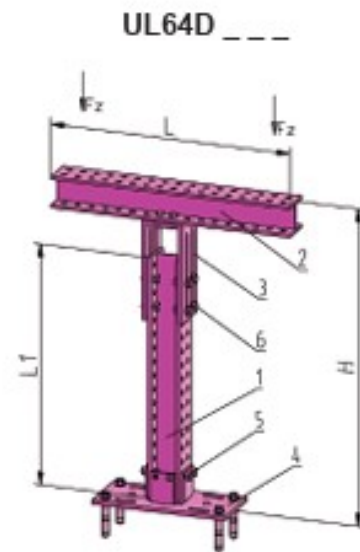
**T-Support UL64D\_0 (Plugplate 230x230x10)**

	L1	A	B	C	D		
		295	610	925	1240		
H		395-545	710-860	1025-1175	1340-1490		
<b>_B</b> L=610	Fz [kN]	3,8	3,5	3,2	3,0		
	kg	19,7	23,2	26,7	30,1		
<b>_C</b> L=925	Fz [kN]	2,5	2,4	2,3	2,2		
	kg	23,2	26,7	30,2	33,6		
<b>_D</b> L=1240	Fz [kN]	1,9	1,8	1,8	1,7		
	kg	26,6	30,1	33,6	37,0		

**T-Support UL64D\_1 (Plugplate 150x250x10)**

	L1	A	B	C	D	E	F
		295	610	925	1240	1555	1870
H		421-554	719-869	1034-1184	1349-1499	1664-1814	1979-2129
<b>_B</b> L=610	Fz [kN]	1,9	1,4	1,1	0,9	0,8	0,7
	kg	20,6	24,1	28,0	31,0	34,5	38,0
<b>_C</b> L=925	Fz [kN]	1,5	1,1	0,9	0,8	0,7	0,6
	kg	24,1	27,6	31,1	34,5	38,0	41,5
<b>_D</b> L=1240	Fz [kN]	1,2	1,0	0,8	0,7	0,6	0,6
	kg	27,5	31,0	34,5	37,9	41,4	44,9

Pos.0: STL-SKD-0295-F up to STL-SKD-1240-F (Centres of holes 180x180)  
 Pos.1: STL-0295-F up to STL-1870-F      Pos.2: STL-0610-F up to STL-1240-F      Pos.3: STL-VS-F  
 Pos.4: 1 = STL-PD-1-F (Centres of holes 100x200) or  
 2 = STL-PD-2-F (Centres of holes 100x290) or  
 3 = STL-PD-3-F (Centres of holes 100x380)  
 Pos.5: STL-S-012x030-F (4x or 8x)      Pos.6: STL-SU-012x035-F (8x)  
 Example: UL64DCB1 = T-Support, plug connection, L1=925 mm, L=610 mm, STL-PD-1-F, Fz=1,1 kN



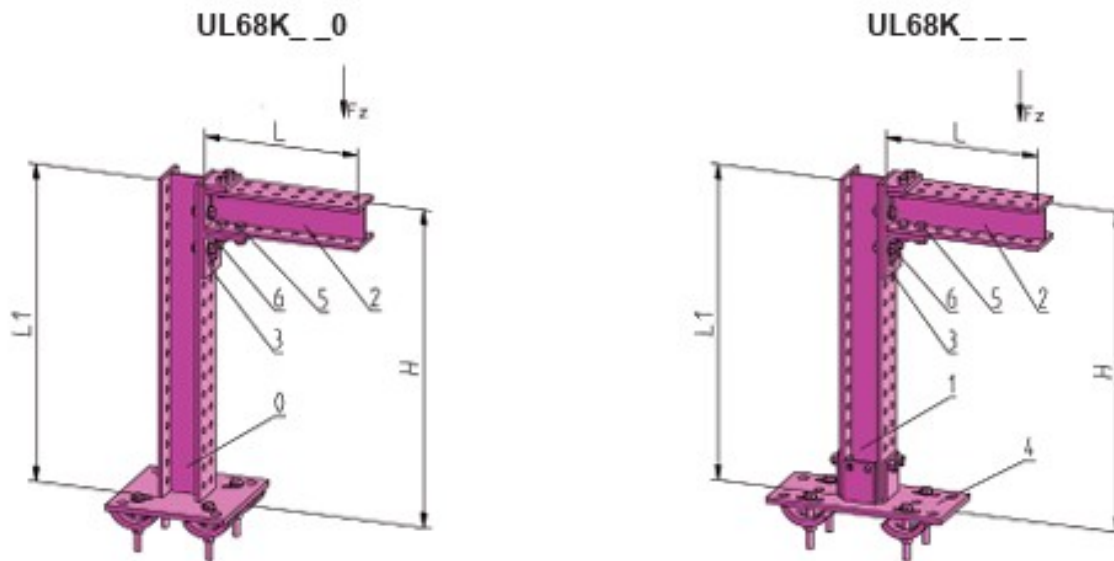
**T-Support UL64D\_\_2 (Plugplate 150x340x10)**

	L1	A	B	C	D	E	F
		295	610	925	1240	1555	1870
H		421-554	719-869	1034-1184	1349-1499	1664-1814	1979-2129
<b>_B L=610</b>	Fz [kN]	2,0	1,4	1,1	0,9	0,8	0,7
	kg	21,6	25,1	28,6	32,0	35,5	39,0
<b>_C L=925</b>	Fz [kN]	1,6	1,2	1,0	0,8	0,7	0,6
	kg	25,1	32,0	35,5	38,9	42,4	45,9
<b>_D L=1240</b>	Fz [kN]	1,3	1,0	0,9	0,8	0,7	0,6
	kg	28,5	32,0	35,5	38,9	42,4	45,9

**T-Support UL64D\_\_3 (Plugplate 150x430x10)**

	L1	A	B	C	D	E	F
		295	610	925	1240	1555	1870
H		421-554	719-869	1034-1184	1349-1499	1664-1814	1979-2129
<b>_B L=610</b>	Fz [kN]	1,9	1,4	1,1	0,9	0,8	0,7
	kg	22,7	26,2	29,7	33,1	36,6	40,1
<b>_C L=925</b>	Fz [kN]	1,5	1,2	1,0	0,8	0,7	0,6
	kg	26,2	29,7	33,2	36,6	40,1	43,6
<b>_D L=1240</b>	Fz [kN]	1,3	1,0	0,9	0,7	0,6	0,6
	kg	29,6	33,1	36,6	40,0	43,3	47,0

**Pos.0:** STL-SKD-0295-F up to STL-SKD-1240-F (Centres of holes 180x180)  
**Pos.1:** STL-0295-F up to STL-1870-F      **Pos.2:** STL-0610-F up to STL-1240-F      **Pos.3:** STL-VS-F  
**Pos.4:** 1 = STL-PD-1-F (Centres of holes 100x200) or  
2 = STL-PD-2-F (Centres of holes 100x290) or  
3 = STL-PD-3-F (Centres of holes 100x380)  
**Pos.5:** STL-S-012x030-F (4x or 8x)      **Pos.6:** STL-SU-012x035-F (8x)  
**Example:** UL64DDC3 = T-Support, plug connection, L1=1240 mm, L=925 mm, STL-PD-3-F, Fz=0,8 kN



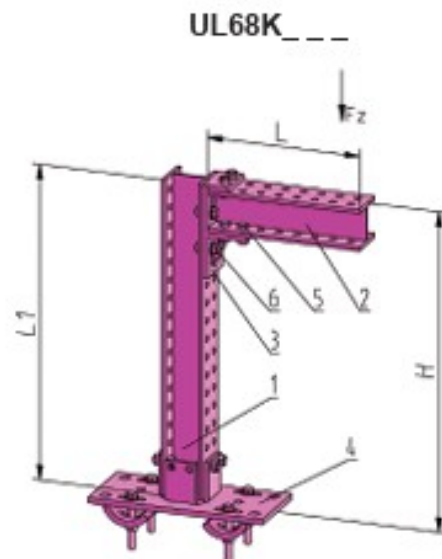
**Scaffold UL68K\_0** (Connection section 80-120)

	L1	A	B	C	D		
		295	610	925	1240		
	H	100-305	-620	-935	-1250		
_A L=295	Fz [kN]	3,4	3,3	3,1	2,9		
	kg	15,2	18,7	22,2	25,8		
_B L=610	Fz [kN]	1,5	1,5	1,5	1,5		
	kg	18,7	22,2	25,7	29,1		
_C L=925	Fz [kN]	1,0	1,0	1,0	1,0		
	kg	22,2	25,7	29,2	32,8		
_D L=1240	Fz [kN]	0,7	0,7	0,7	0,7		
	kg	25,6	29,1	32,8	36,0		

**Scaffold UL68K\_1** (Connection section 80-120)

	L1	A	B	C	D	E	F
		295	610	925	1240	1555	1870
	H	181-314	-629	-944	-1259	-1574	-1889
_A L=295	Fz [kN]	3,4	3,3	3,0	2,4	2,0	1,7
	kg	16,0	19,5	23,0	26,4	29,9	33,4
_B L=610	Fz [kN]	1,5	1,5	1,5	1,5	1,5	1,4
	kg	19,5	23,0	26,5	29,9	33,4	36,9
_C L=925	Fz [kN]	1,0	1,0	1,0	1,0	1,0	1,0
	kg	23,0	26,5	30,0	33,4	36,9	40,4
_D L=1240	Fz [kN]	0,7	0,7	0,7	0,7	0,7	0,7
	kg	26,4	29,9	33,4	36,8	40,3	43,8

Pos.0: STL-SKK-0295-F up to STL-SKK-1240-F (Connection section 80-120)  
 Pos.1: STL-0295-F up to STL-1870-F      Pos.2: STL-0295-F up to STL-1240-F      Pos.3: STL-PV-1-F  
 Pos.4: 1 = STL-PK-1-F (Connection section 80-120) or  
 2 = STL-PK-2-F (Connection section 130-210) or  
 3 = STL-PK-3-F (Connection section 220-300)  
 Pos.5: STL-S-012x030-F (6x or 10x)      Pos.6: STL-SU-012x035-F (4x)  
 Example: UL68KCB1 = Scaffold, clamp connection, L1=925 mm, L=610 mm, STL-PK-1-F, Fz=1,5 kN



**Scaffold UL68K\_2** (Connection section 130-210)

	L1	A_	B_	C_	D_	E_	F_
		295	610	925	1240	1555	1870
		H	-629	-944	-1259	-1574	-1889
_A L=295	Fz [kN]	3,4	3,3	2,9	2,3	2,0	1,7
	kg	17,1	20,6	24,1	27,5	31,0	34,5
_B L=610	Fz [kN]	1,5	1,5	1,5	1,5	1,5	1,4
	kg	20,6	24,1	27,6	31,0	34,5	38,0
_C L=925	Fz [kN]	1,0	1,0	1,0	1,0	1,0	1,0
	kg	24,1	27,6	31,1	34,5	38,0	41,5
_D L=1240	Fz [kN]	0,7	0,7	0,7	0,7	0,7	0,7
	kg	27,5	31,0	34,5	37,9	41,4	44,9

**Scaffold UL68K\_3** (Connection section 220-300)

	L1	A_	B_	C_	D_	E_	F_
		295	610	925	1240	1555	1870
		H	-629	-944	-1259	-1574	-1889
_A L=295	Fz [kN]	3,4	3,2	2,4	1,9	1,6	1,4
	kg	18,2	21,7	25,2	28,6	32,1	35,6
_B L=610	Fz [kN]	1,5	1,5	1,5	1,5	1,3	1,1
	kg	21,7	25,2	28,7	32,1	35,7	39,1
_C L=925	Fz [kN]	1,0	1,0	1,0	1,0	1,0	1,0
	kg	25,2	28,7	32,2	35,6	39,1	42,6
_D L=1240	Fz [kN]	0,7	0,7	0,7	0,7	0,7	0,7
	kg	28,6	32,1	35,6	39,0	42,5	46,0

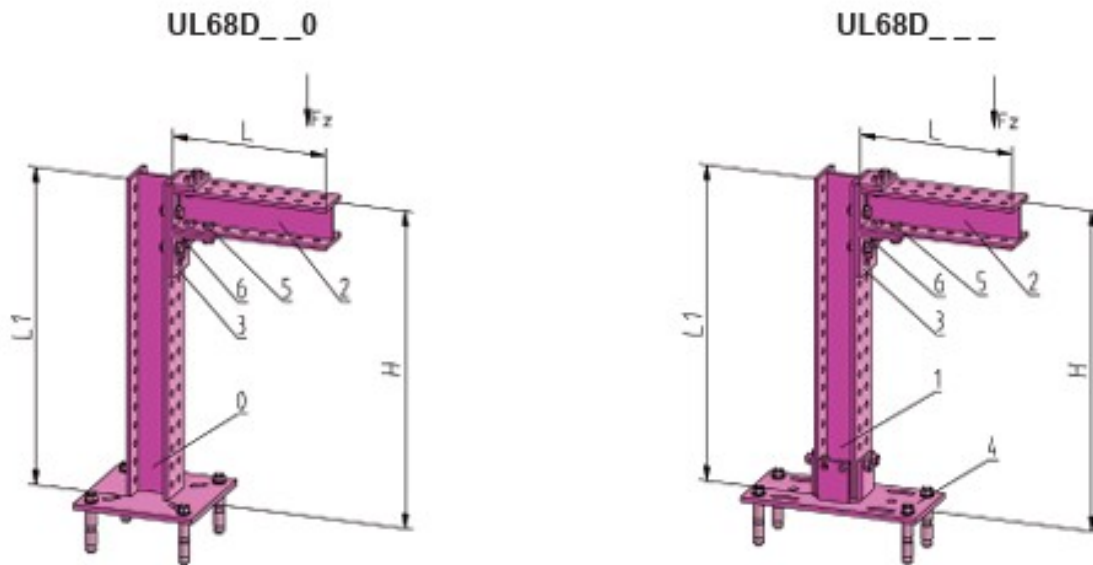
**Pos.0:** STL-SKK-0295-F up to STL-SKK-1240-F (Connection section 80-120)

**Pos.1:** STL-0295-F up to STL-1870-F      **Pos.2:** STL-0295-F up to STL-1240-F      **Pos.3:** STL-PV-1-F

**Pos.4:** 1 = STL-PK-1-F (Connection section 80-120) or  
2 = STL-PK-2-F (Connection section 130-210) or  
3 = STL-PK-3-F (Connection section 220-300)

**Pos.5:** STL-S-012x030-F (6x or 10x)      **Pos.6:** STL-SU-012x035-F (4x)

**Example:** UL68KDC3 = Scaffold, clamp connection, L1=1240 mm, L=925 mm, STL-PK-3-F, Fz=1,0 kN



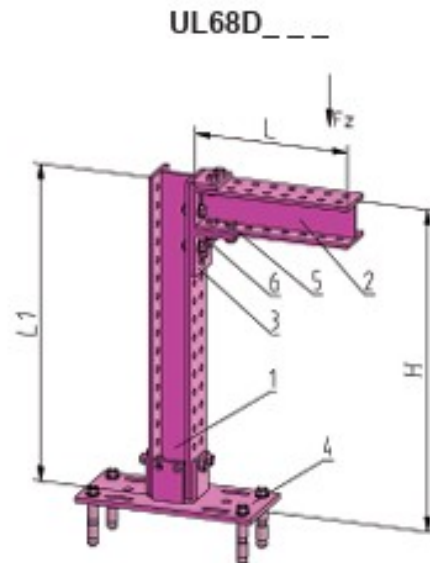
**Scaffold UL68D\_\_0 (Plugplate 230x230x10)**

	L1	A_	B_	C_	D_		
		295	610	925	1240		
H		100-305	-620	-935	-1250		
_A L=295	Fz [kN]	3,4	3,3	3,1	2,9		
	kg	13,2	16,7	20,2	23,6		
_B L=610	Fz [kN]	1,5	1,5	1,5	1,5		
	kg	16,7	20,2	23,7	27,1		
_C L=925	Fz [kN]	1,0	1,0	1,0	1,0		
	kg	20,2	23,7	27,2	30,6		
_D L=1240	Fz [kN]	0,7	0,7	0,7	0,7		
	kg	23,6	27,1	30,6	34,0		

**Scaffold UL68D\_\_1 (Plugplate 150x250x10)**

	L1	A_	B_	C_	D_	E_	F_
		295	610	925	1240	1555	1870
H		181-314	-629	-944	-1259	-1574	-1889
_A L=295	Fz [kN]	2,5	1,7	1,2	1,0	0,8	0,7
	kg	14,0	17,5	21,0	24,4	27,9	31,4
_B L=610	Fz [kN]	1,4	1,1	0,9	0,8	0,7	0,6
	kg	17,5	21,0	24,5	27,9	31,4	34,9
_C L=925	Fz [kN]	1,0	0,8	0,7	0,6	0,5	0,5
	kg	21,0	24,5	28,0	31,4	34,9	38,4
_D L=1240	Fz [kN]	0,7	0,6	0,6	0,5	0,5	0,4
	kg	24,4	27,9	31,4	34,8	38,3	41,8

Pos.0: STL-SKD-0295-F up to STL-SKD-1240-F (Centres of holes 180x180)  
 Pos.1: STL-0295-F up to STL-1870-F      Pos.2: STL-0295-F up to STL-1240-F      Pos.3: STL-PV-1-F  
 Pos.4: 1 = STL-PD-1-F (Centres of holes 100x200) or  
 2 = STL-PD-2-F (Centres of holes 100x290) or  
 3 = STL-PD-3-F (Centres of holes 100x380)  
 Pos.5: STL-S-012x030-F (6x or 10x)      Pos.6: STL-SU-012x035-F (4x)  
 Example: UL68DCB1 = Scaffold, plug connection, L1=925 mm, L=610 mm, STL-PD-1-F, Fz=0,9 kN



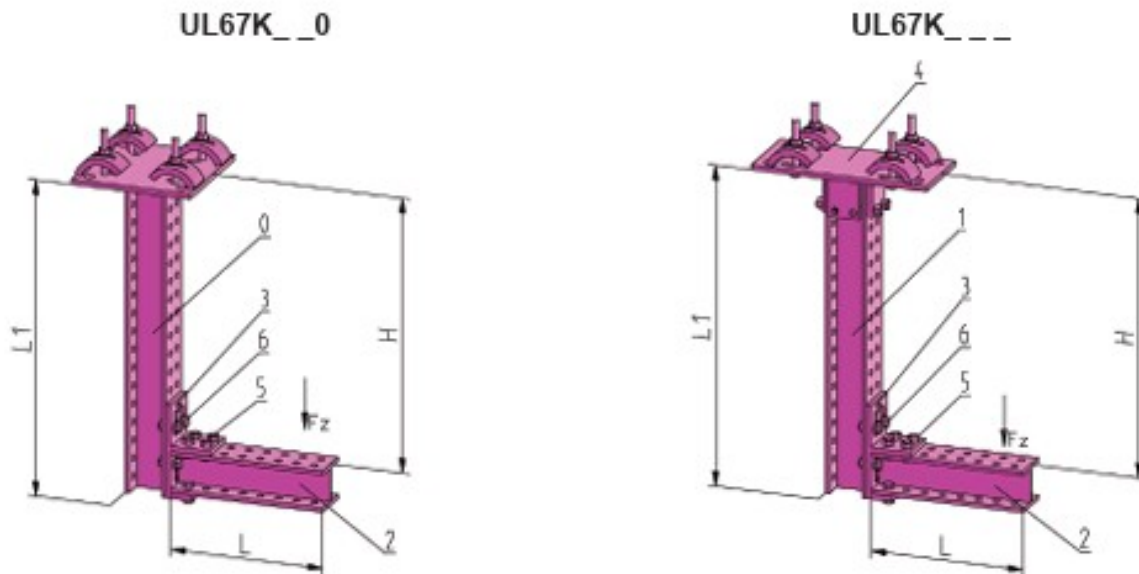
**Scaffold UL68D\_\_2 (Plugplate 150x340x10)**

	L1	A	B	C	D	E	F
		295	610	925	1240	1555	1870
	H	181-314	-629	-944	-1259	-1574	-1889
<b>_A L=295</b>	Fz [kN]	2,8	1,8	1,3	1,1	0,9	0,8
	kg	15,1	18,8	22,1	25,5	29,0	32,5
<b>_B L=610</b>	Fz [kN]	1,5	1,2	1,0	0,8	0,7	0,6
	kg	18,8	22,1	25,8	29,0	32,5	36,0
<b>_C L=925</b>	Fz [kN]	1,0	0,9	0,7	0,7	0,6	0,5
	kg	22,1	25,8	29,1	32,5	36,0	39,5
<b>_D L=1240</b>	Fz [kN]	0,7	0,7	0,6	0,5	0,5	0,4
	kg	25,5	29,0	32,5	35,9	39,4	42,9

**Scaffold UL68D\_\_3 (Plugplate 150x430x10)**

	L1	A	B	C	D	E	F
		295	610	925	1240	1555	1870
	H	181-314	-629	-944	-1259	-1574	-1889
<b>_A L=295</b>	Fz [kN]	2,8	1,7	1,3	1,0	0,9	0,7
	kg	16,2	19,7	23,2	26,8	30,1	33,6
<b>_B L=610</b>	Fz [kN]	1,5	1,2	0,9	0,8	0,7	0,6
	kg	19,7	23,2	26,7	30,1	33,8	37,1
<b>_C L=925</b>	Fz [kN]	1,0	0,9	0,7	0,6	0,6	0,5
	kg	23,2	26,7	30,2	33,8	37,2	40,8
<b>_D L=1240</b>	Fz [kN]	0,7	0,7	0,6	0,5	0,5	0,4
	kg	26,8	30,1	33,8	37,0	40,5	44,0

- Pos.0:** STL-SKD-0295-F up to STL-SKD-1240-F (Centres of holes 180x180)  
**Pos.1:** STL-0295-F up to STL-1870-F    **Pos.2:** STL-0295-F up to STL-1240-F    **Pos.3:** STL-PV-1-F  
**Pos.4:** 1 = STL-PD-1-F (Centres of holes 100x200) or  
2 = STL-PD-2-F (Centres of holes 100x290) or  
3 = STL-PD-3-F (Centres of holes 100x380)  
**Pos.5:** STL-S-012x030-F (6x or 10x)    **Pos.6:** STL-SU-012x035-F (4x)  
**Example:** UL68DDC3 = Scaffold, plug connection, L1=1240 mm, L=925 mm, STL-PD-3-F, Fz=0,6 kN



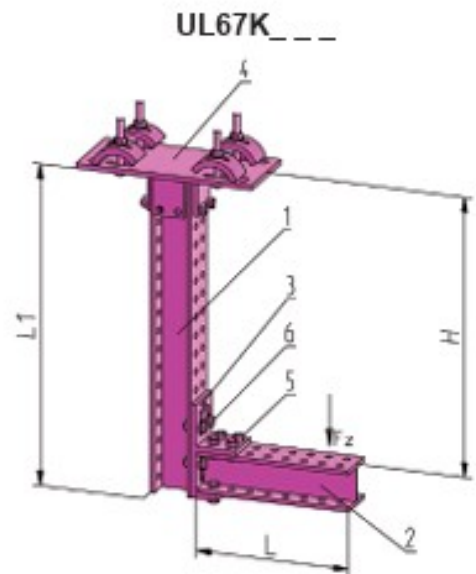
**Scaffold UL67K\_\_0 (Connection section 80-120)**

	L1	A	B	C	D		
		295	610	925	1240		
		H	-540	-855	-1170		
_A L=295	Fz [kN]	4,3	4,0	3,7	3,2		
	kg	15,2	18,7	22,2	25,6		
_B L=610	Fz [kN]	2,1	2,1	2,0	1,9		
	kg	18,7	22,2	25,7	29,1		
_C L=925	Fz [kN]	1,4	1,4	1,4	1,3		
	kg	22,2	25,7	29,2	32,6		
_D L=1240	Fz [kN]	1,0	1,0	1,0	1,0		
	kg	25,6	29,1	32,6	36,0		

**Scaffold UL67K\_\_1 (Connection section 80-120)**

	L1	A	B	C	D	E	F
		295	610	925	1240	1555	1870
		H	-549	-864	-1179	-1494	-1809
_A L=295	Fz [kN]	3,9	3,8	2,9	2,3	2,0	1,7
	kg	16,0	19,5	23,0	26,4	29,9	33,4
_B L=610	Fz [kN]	2,2	2,2	2,1	1,8	1,6	1,4
	kg	19,5	23,0	26,5	29,9	33,4	36,9
_C L=925	Fz [kN]	1,5	1,5	1,5	1,5	1,3	1,2
	kg	23,0	26,5	30,0	33,4	36,9	40,4
_D L=1240	Fz [kN]	1,1	1,1	1,1	1,1	1,1	1,0
	kg	26,4	29,9	33,4	36,8	40,3	43,8

Pos.0: STL-SKK-0295-F up to STL-SKK-1240-F (Connection section 80-120)  
 Pos.1: STL-0295-F up to STL-1870-F      Pos.2: STL-0295-F up to STL-1240-F      Pos.3: STL-PV-1-F  
 Pos.4: 1 = STL-PK-1-F (Connection section 80-120) or  
 2 = STL-PK-2-F (Connection section 130-210) or  
 3 = STL-PK-3-F (Connection section 220-300)  
 Pos.5: STL-S-012x030-F (6x or 10x)      Pos.6: STL-SU-012x035-F (4x)  
 Example: UL67KCB1 = Scaffold, clamp connection, L1=925 mm, L=610 mm, STL-PK-1-F, Fz=2,1 kN



**Scaffold UL67K\_2** (Connection section 130-210)

	L1	A	B	C	D	E	F
		H					
		295	610	925	1240	1555	1870
		101-234	-549	-864	-1179	-1494	-1809
_A L=295	Fz [kN]	3,9	3,7	2,8	2,3	1,9	1,6
	kg	17,1	20,6	24,1	27,5	31,0	34,5
_B L=610	Fz [kN]	2,2	2,2	2,1	1,8	1,5	1,3
	kg	20,6	24,1	27,6	31,0	34,5	38,0
_C L=925	Fz [kN]	1,5	1,5	1,5	1,4	1,3	1,1
	kg	24,1	27,6	31,1	34,5	38,0	41,5
_D L=1240	Fz [kN]	1,1	1,1	1,1	1,1	1,1	1,0
	kg	27,5	31,0	34,5	37,9	41,4	44,9

**Scaffold UL67K\_3** (Connection section 220-300)

	L1	A	B	C	D	E	F
		H					
		295	610	925	1240	1555	1870
		101-234	-549	-864	-1179	-1494	-1809
_A L=295	Fz [kN]	3,9	3,0	2,3	1,9	1,6	1,4
	kg	18,2	21,7	25,2	28,6	32,1	35,6
_B L=610	Fz [kN]	2,2	2,1	1,7	1,5	1,3	1,1
	kg	21,7	25,2	28,7	32,1	35,7	39,1
_C L=925	Fz [kN]	1,5	1,5	1,4	1,2	1,1	0,9
	kg	25,2	28,7	32,2	35,6	39,1	42,6
_D L=1240	Fz [kN]	1,1	1,1	1,1	1,0	0,9	0,8
	kg	28,6	32,1	35,6	39,0	42,5	46,0

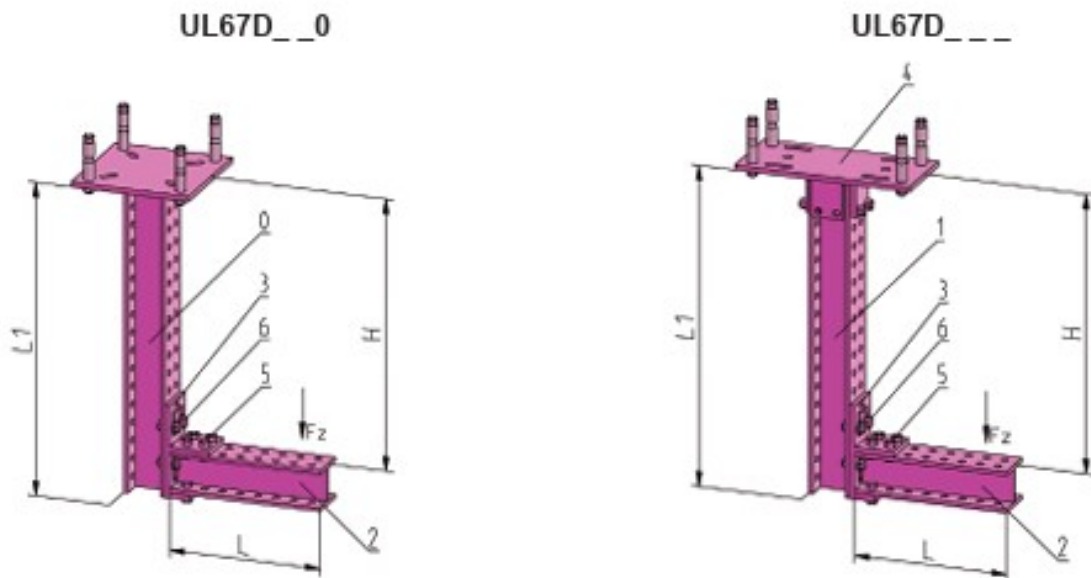
**Pos.0:** STL-SKK-0295-F up to STL-SKK-1240-F (Connection section 80-120)

**Pos.1:** STL-0295-F up to STL-1870-F      **Pos.2:** STL-0295-F up to STL-1240-F      **Pos.3:** STL-PV-1-F

**Pos.4:** 1 = STL-PK-1-F (Connection section 80-120) or  
2 = STL-PK-2-F (Connection section 130-210) or  
3 = STL-PK-3-F (Connection section 220-300)

**Pos.5:** STL-S-012x030-F (6x or 10x)      **Pos.6:** STL-SU-012x035-F (4x)

**Example:** UL67KDC3 = Scaffold, clamp connection, L1=1240 mm, L=925 mm, STL-PK-3-F, Fz=1,2 kN



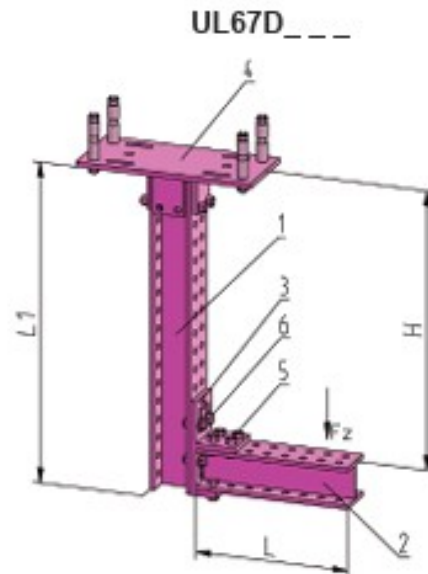
**Scaffold UL67D\_\_0 (Plugplate 230x230x10)**

	L1	A	B	C	D		
		295	610	925	1240		
	H	30-225	-540	-855	-1170		
_A L=295	Fz [kN]	4,3	4,0	3,5	2,9		
	kg	13,2	16,7	20,2	23,6		
_B L=610	Fz [kN]	2,1	2,1	2,0	1,9		
	kg	16,7	20,2	23,7	27,1		
_C L=925	Fz [kN]	1,4	1,4	1,4	1,3		
	kg	20,2	23,7	27,2	30,6		
_D L=1240	Fz [kN]	1,0	1,0	1,0	1,0		
	kg	23,6	27,1	30,6	34,0		

**Scaffold UL67D\_\_1 (Plugplate 150x250x10)**

	L1	A	B	C	D	E	F
		295	610	925	1240	1555	1870
	H	101-234	-549	-864	-1179	-1494	-1809
_A L=295	Fz [kN]	2,3	1,6	1,2	1,0	0,8	0,7
	kg	14,0	17,5	21,0	24,4	27,9	31,4
_B L=610	Fz [kN]	1,3	1,1	0,9	0,7	0,6	0,6
	kg	17,5	21,0	24,5	27,9	31,4	34,9
_C L=925	Fz [kN]	0,9	0,8	0,7	0,6	0,5	0,5
	kg	21,0	24,5	28,0	31,4	34,9	38,4
_D L=1240	Fz [kN]	0,7	0,6	0,5	0,5	0,4	0,4
	kg	24,4	27,9	31,4	34,8	38,3	41,8

Pos.0: STL-SKD-0295-F up to STL-SKD-1240-F (Centres of holes 180x180)  
 Pos.1: STL-0295-F up to STL-1870-F      Pos.2: STL-0295-F up to STL-1240-F      Pos.3: STL-PV-1-F  
 Pos.4: 1 = STL-PD-1-F (Centres of holes 100x200) or  
 2 = STL-PD-2-F (Centres of holes 100x290) or  
 3 = STL-PD-3-F (Centres of holes 100x380)  
 Pos.5: STL-S-012x030-F (6x or 10x)      Pos.6: STL-SU-012x035-F (4x)  
 Example: UL68DCB1 = Scaffold, plug connection, L1=925 mm, L=610 mm, STL-PD-1-F, Fz=0,9 kN



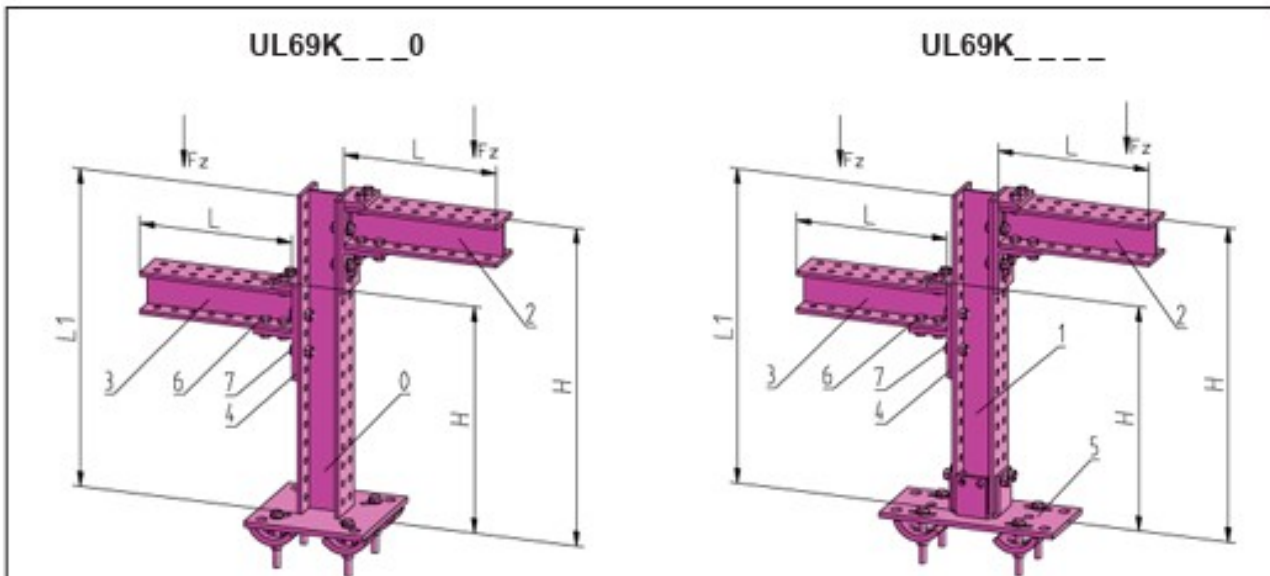
**Scaffold UL67D\_\_2 (Plugplate 150x340x10)**

	L1	A	B	C	D	E	F
		H	101-234	-549	-864	-1179	-1494
<b>_A L=295</b>	<b>Fz [kN]</b>	2,4	1,7	1,3	1,0	0,9	0,7
	<b>kg</b>	15,1	18,6	22,1	25,5	29,0	32,5
<b>_B L=610</b>	<b>Fz [kN]</b>	1,4	1,1	0,9	0,8	0,7	0,6
	<b>kg</b>	18,6	22,1	25,6	29,0	32,5	36,0
<b>_C L=925</b>	<b>Fz [kN]</b>	1,0	0,8	0,7	0,6	0,6	0,5
	<b>kg</b>	22,1	25,6	29,1	32,5	36,0	39,5
<b>_D L=1240</b>	<b>Fz [kN]</b>	0,8	0,7	0,6	0,5	0,5	0,4
	<b>kg</b>	25,5	29,0	32,5	35,9	39,4	42,9

**Scaffold UL67D\_\_3 (Plugplate 150x430x10)**

	L1	A	B	C	D	E	F
		H	101-234	-549	-864	-1179	-1494
<b>_A L=295</b>	<b>Fz [kN]</b>	2,4	1,6	1,2	1,0	0,8	0,7
	<b>kg</b>	16,2	19,7	23,2	26,6	30,1	33,6
<b>_B L=610</b>	<b>Fz [kN]</b>	1,4	1,1	0,9	0,8	0,7	0,6
	<b>kg</b>	19,7	23,2	26,7	30,1	33,6	37,1
<b>_C L=925</b>	<b>Fz [kN]</b>	1,0	0,8	0,7	0,6	0,5	0,5
	<b>kg</b>	23,2	26,7	30,2	33,6	37,2	40,6
<b>_D L=1240</b>	<b>Fz [kN]</b>	0,7	0,6	0,6	0,5	0,5	0,4
	<b>kg</b>	26,6	30,1	33,6	37,0	40,5	44,0

**Pos.0:** STL-SKD-0295-F up to STL-SKD-1240-F (Centres of holes 180x180)  
**Pos.1:** STL-0295-F up to STL-1870-F      **Pos.2:** STL-0295-F up to STL-1240-F      **Pos.3:** STL-PV-1-F  
**Pos.4:** 1 = STL-PD-1-F (Centres of holes 100x200) or  
2 = STL-PD-2-F (Centres of holes 100x290) or  
3 = STL-PD-3-F (Centres of holes 100x380)  
**Pos.5:** STL-S-012x030-F (6x or 10x)      **Pos.6:** STL-SU-012x035-F (4x)  
**Example:** UL68DDC3 = Scaffold, plug connection, L1=1240 mm, L=925 mm, STL-PD-3-F, Fz=0,6 kN



**Scaffold UL69K\_0** (Connection section 80-120)

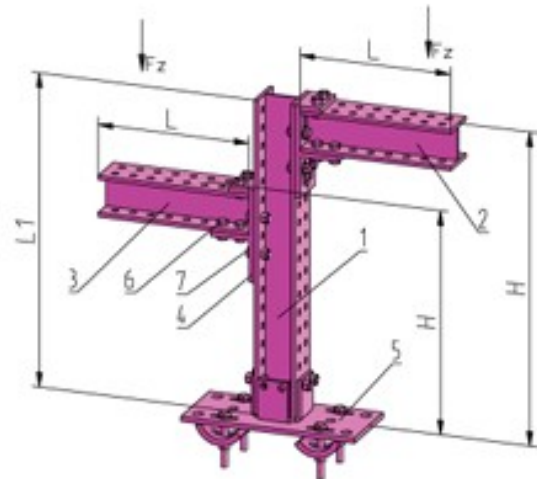
	L1	A	B	C	D		
		295	610	925	1240		
	H	100-305	-620	-935	-1250		
<b>_AA</b> L=295	Fz [kN]	3,4	3,3	3,1	2,9		
	kg	20,9	24,4	27,9	31,3		
<b>_BB</b> L=610	Fz [kN]	1,5	1,5	1,5	1,5		
	kg	27,9	31,4	34,9	38,3		
<b>_CC</b> L=925	Fz [kN]	1,0	1,0	1,0	1,0		
	kg	34,9	38,4	41,9	45,3		
<b>_DD</b> L=1240	Fz [kN]	0,7	0,7	0,7	0,7		
	kg	41,7	45,2	48,7	52,1		

**Scaffold UL69K\_1** (Connection section 80-120)

	L1	A	B	C	D	E	F
		295	610	925	1240	1555	1870
	H	181-314	-629	-944	-1259	-1574	-1889
<b>_AA</b> L=295	Fz [kN]	3,4	3,3	3,0	2,4	2,0	1,7
	kg	21,7	25,2	28,7	32,1	35,8	39,1
<b>_BB</b> L=610	Fz [kN]	1,5	1,5	1,5	1,5	1,5	1,4
	kg	28,7	32,2	35,7	39,1	42,6	46,1
<b>_CC</b> L=925	Fz [kN]	1,0	1,0	1,0	1,0	1,0	1,0
	kg	35,7	39,2	42,7	46,1	49,6	53,1
<b>_DD</b> L=1240	Fz [kN]	0,7	0,7	0,7	0,7	0,7	0,7
	kg	42,5	46,0	49,5	52,9	56,4	59,9

- Pos.0:** STL-SKK-0295-F up to STL-SKK-1240-F (Connection section 80-120)  
**Pos.1:** STL-0295-F up to STL-1870-F **Pos.2 + 3:** STL-0295-F up to STL-1240-F **Pos.4:** STL-PV-1-F (2x)  
**Pos.5:** 1 = STL-PK-1-F (Connection section 80-120) or  
 2 = STL-PK-2-F (Connection section 130-210) or  
 3 = STL-PK-3-F (Connection section 220-300)  
**Pos.6:** STL-S-012x030-F (12x or 16x) **Pos.7:** STL-SU-012x035-F (8x)  
**Example:** UL69KCB1 = Scaffold, clamp connection, L1=925 mm, L=610 mm, STL-PK-1-F, Fz=1,5 kN

UL69K\_ \_ \_ \_



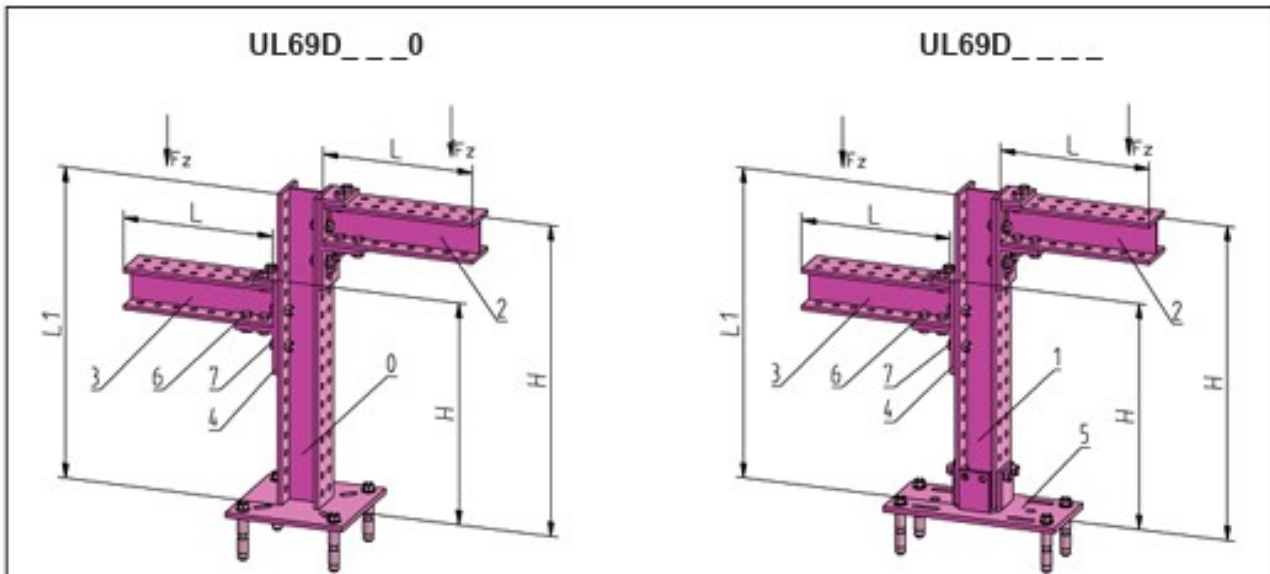
**Scaffold UL69K\_ \_ \_ 2 (Connection section 130-210)**

	L1	A_	B_	C_	D_	E_	F_
		H	181-314	-629	-944	-1259	-1574
_AA L=295	Fz [kN]	3,4	3,3	2,9	2,3	2,0	1,7
	kg	22,8	26,3	29,8	33,2	36,7	40,2
_BB L=610	Fz [kN]	1,5	1,5	1,5	1,5	1,5	1,4
	kg	29,2	33,3	36,8	40,2	43,7	47,2
_CC L=925	Fz [kN]	1,0	1,0	1,0	1,0	1,0	1,0
	kg	36,8	40,3	43,8	47,2	50,7	54,2
_DD L=1240	Fz [kN]	0,7	0,7	0,7	0,7	0,7	0,7
	kg	43,6	47,1	50,6	54,0	57,5	61,0

**Scaffold UL69K\_ \_ \_ 3 (Connection section 220-300)**

	L1	A_	B_	C_	D_	E_	F_
		H	181-314	-629	-944	-1259	-1574
_AA L=295	Fz [kN]	3,4	3,2	2,4	1,9	1,8	1,4
	kg	23,9	27,4	30,9	34,3	37,8	41,3
_BB L=610	Fz [kN]	1,5	1,5	1,5	1,5	1,3	1,1
	kg	30,9	34,4	37,9	41,3	44,8	47,3
_CC L=925	Fz [kN]	1,0	1,0	1,0	1,0	1,0	1,0
	kg	37,9	41,4	44,9	48,3	51,8	55,3
_DD L=1240	Fz [kN]	0,7	0,7	0,7	0,7	0,7	0,7
	kg	44,7	48,2	51,7	55,1	58,6	62,1

- Pos.0:** STL-SKK-0295-F up to STL-SKK-1240-F (Connection section 80-120)  
**Pos.1:** STL-0295-F up to STL-1870-F **Pos.2 + 3:** STL-0295-F up to STL-1240-F **Pos.4:** STL-PV-1-F (2x)  
**Pos.5:** 1 = STL-PK-1-F (Connection section 80-120) or  
 2 = STL-PK-2-F (Connection section 130-210) or  
 3 = STL-PK-3-F (Connection section 220-300)  
**Pos.6:** STL-S-012x030-F (12x or 16x) **Pos.7:** STL-SU-012x035-F (8x)  
**Example:** UL69KDCC3 = Scaffold, clamp connection, L1=1240 mm, L=925 mm, STL-PK-3-F, Fz=1,0 kN



**Scaffold UL69D\_\_\_0 (Plugplate 230x230x10)**

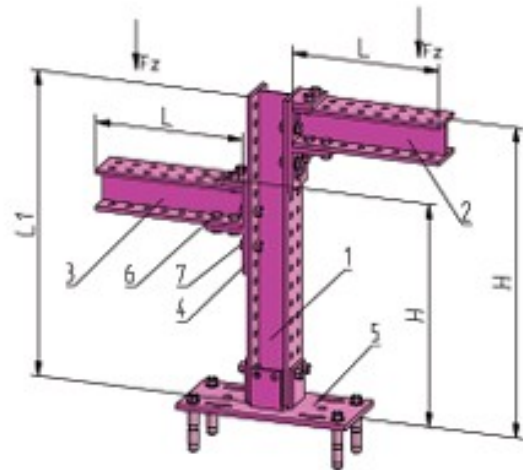
	L1	A	B	C	D		
		295	610	925	1240		
H		100-305	-620	-935	-1250		
<b>_AA</b> L=295	Fz [kN]	3,4	3,3	3,1	2,9		
	kg	18,9	22,4	25,9	29,3		
<b>_BB</b> L=610	Fz [kN]	1,5	1,5	1,5	1,5		
	kg	25,9	29,4	32,9	36,3		
<b>_CC</b> L=925	Fz [kN]	1,0	1,0	1,0	1,0		
	kg	32,9	36,4	39,9	43,3		
<b>_DD</b> L=1240	Fz [kN]	0,7	0,7	0,7	0,7		
	kg	39,7	43,2	46,7	50,1		

**Scaffold UL69D\_\_\_1 (Plugplate 150x250x10)**

	L1	A	B	C	D	E	F
		295	610	925	1240	1555	1870
H		181-314	-629	-944	-1259	-1574	-1889
<b>_AA</b> L=295	Fz [kN]	2,5	1,7	1,2	1,0	0,8	0,7
	kg	19,7	23,2	26,7	30,1	33,6	37,1
<b>_BB</b> L=610	Fz [kN]	1,4	1,1	0,9	0,8	0,7	0,6
	kg	26,7	30,2	33,7	37,1	40,6	44,1
<b>_CC</b> L=925	Fz [kN]	1,0	0,8	0,7	0,6	0,5	0,5
	kg	33,7	37,2	40,7	44,1	47,6	51,1
<b>_DD</b> L=1240	Fz [kN]	0,7	0,6	0,6	0,5	0,5	0,4
	kg	40,5	44,0	47,5	50,9	54,4	57,9

**Pos.0:** STL-SKD-0295-F up to STL-SKD-1240-F (Centres of holes 180x180)  
**Pos.1:** STL-0295-F up to STL-1870-F **Pos.2 + 3:** STL-0295-F up to STL-1240-F **Pos.4:** STL-PV-1-F (2x)  
**Pos.5:** 1 = STL-PD-1-F (Centres of holes 100x200) or  
 2 = STL-PD-2-F (Centres of holes 100x290) or  
 3 = STL-PD-3-F (Centres of holes 100x380)  
**Pos.6:** STL-S-012x030-F (12x or 16x) **Pos.7:** STL-SU-012x035-F (8x)  
**Example:** UL69DCBB1 = Scaffold, plug connection, L1=925 mm, L=610 mm, STL-PD-1-F, Fz=0,9 kN

UL69D\_ \_ \_



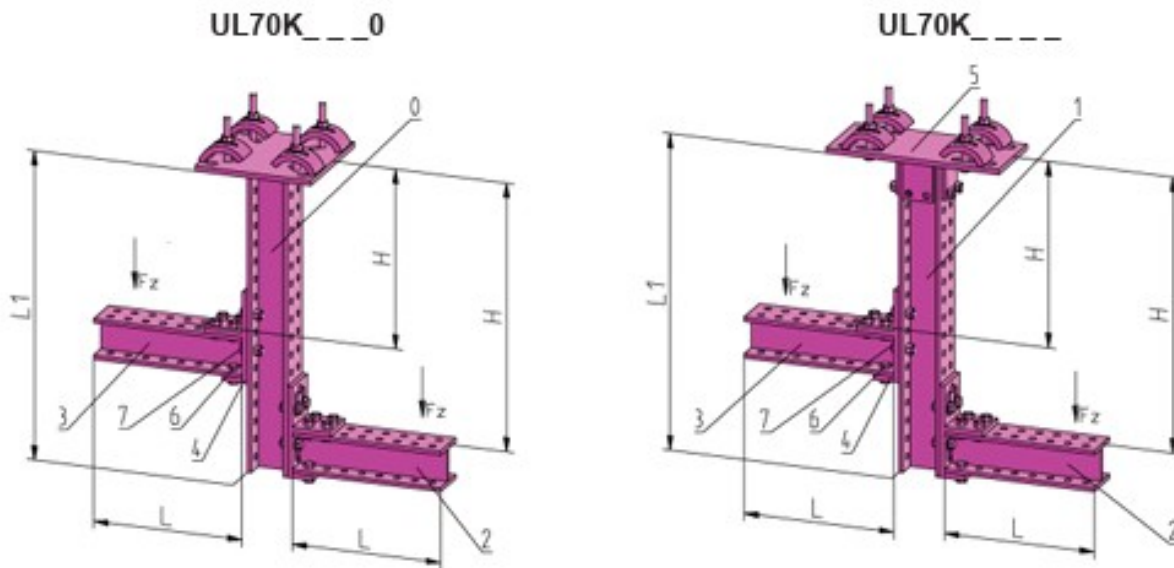
**Scaffold UL69D\_ \_ \_2 (Plugplate 150x340x10)**

	L1	A_ _	B_ _	C_ _	D_ _	E_ _	F_ _
		295	610	925	1240	1555	1870
	H	181-314	-629	-944	-1259	-1574	-1889
_AA L=295	Fz [kN]	2,8	1,8	1,3	1,1	0,9	0,8
	kg	20,8	24,3	27,8	31,2	34,7	38,2
_BB L=610	Fz [kN]	1,5	1,2	1,0	0,8	0,7	0,6
	kg	27,2	31,3	34,8	38,2	41,7	45,2
_CC L=925	Fz [kN]	1,0	0,9	0,7	0,7	0,6	0,5
	kg	34,8	38,3	41,8	45,2	48,7	52,2
_DD L=1240	Fz [kN]	0,7	0,7	0,6	0,5	0,5	0,4
	kg	41,6	45,1	48,6	52,0	55,5	59,0

**Scaffold UL69D\_ \_ \_3 (Plugplate 150x430x10)**

	L1	A_ _	B_ _	C_ _	D_ _	E_ _	F_ _
		295	610	925	1240	1555	1870
	H	181-314	-629	-944	-1259	-1574	-1889
_AA L=295	Fz [kN]	2,8	1,7	1,3	1,0	0,9	0,7
	kg	21,9	25,4	28,9	32,3	35,8	39,3
_BB L=610	Fz [kN]	1,5	1,2	0,9	0,8	0,7	0,6
	kg	28,9	32,4	35,9	39,3	42,8	45,3
_CC L=925	Fz [kN]	1,0	0,9	0,7	0,6	0,6	0,5
	kg	35,9	39,4	42,9	46,3	49,8	53,3
_DD L=1240	Fz [kN]	0,7	0,7	0,6	0,5	0,5	0,4
	kg	42,7	46,2	49,7	53,1	56,6	60,1

**Pos.0:** STL-SKD-0295-F up to STL-SKD-1240-F (Centres of holes 180x180)  
**Pos.1:** STL-0295-F up to STL-1870-F **Pos.2 + 3:** STL-0295-F up to STL-1240-F **Pos.4:** STL-PV-1-F (2x)  
**Pos.5:** 1 = STL-PD-1-F (Centres of holes 100x200) or  
 2 = STL-PD-2-F (Centres of holes 100x280) or  
 3 = STL-PD-3-F (Centres of holes 100x380)  
**Pos.6:** STL-S-012x030-F (12x or 16x) **Pos.7:** STL-SU-012x035-F (8x)  
**Example:** UL69DDCC3 = Scaffold, plug connection, L1=1240 mm, L=925 mm, STL-PD-3-F, Fz=0,6 kN



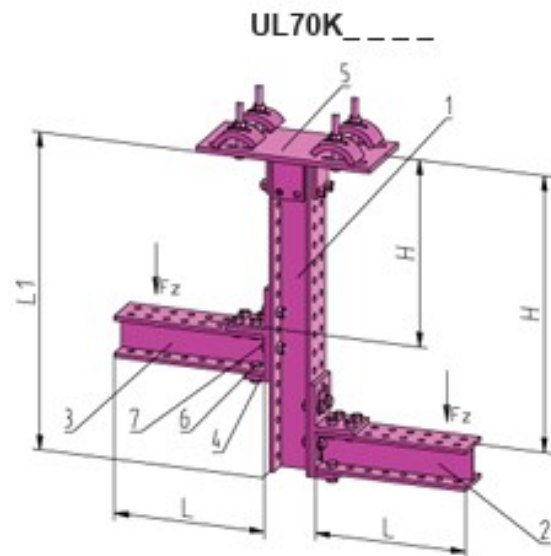
**Scaffold UL70K\_0 (Connection section 80-120)**

	L1	A_	B_	C_	D_		
		295	610	925	1240		
		H	-540	-855	-1170		
_AA L=295	Fz [kN]	4,3	4,0	3,7	3,2		
	kg	20,9	24,4	27,9	31,3		
_BB L=610	Fz [kN]	2,1	2,1	2,0	1,9		
	kg	27,9	31,4	34,9	38,3		
_CC L=925	Fz [kN]	1,4	1,4	1,4	1,3		
	kg	34,9	38,4	41,9	45,3		
_DD L=1240	Fz [kN]	1,0	1,0	1,0	1,0		
	kg	41,7	45,2	48,7	52,1		

**Scaffold UL70K\_1 (Connection section 80-120)**

	L1	A_	B_	C_	D_	E_	F_
		295	610	925	1240	1555	1870
		H	-549	-864	-1179	-1494	-1809
_AA L=295	Fz [kN]	3,9	3,8	2,9	2,3	2,0	1,7
	kg	21,7	25,2	28,7	32,1	35,8	39,1
_BB L=610	Fz [kN]	2,2	2,2	2,1	1,8	1,8	1,4
	kg	28,7	32,2	35,7	39,1	42,8	46,1
_CC L=925	Fz [kN]	1,5	1,5	1,5	1,5	1,3	1,2
	kg	35,7	39,2	42,7	46,1	49,8	53,1
_DD L=1240	Fz [kN]	1,1	1,1	1,1	1,1	1,1	1,0
	kg	42,5	46,0	49,5	52,9	56,4	59,9

Pos.0: STL-SKK-0295-F up to STL-SKK-1240-F (Connection section 80-120)  
 Pos.1: STL-0295-F up to STL-1870-F Pos.2 + 3: STL-0295-F up to STL-1240-F Pos.4: STL-PV-1-F (2x)  
 Pos.5: 1 = STL-PK-1-F (Connection section 80-120) or  
 2 = STL-PK-2-F (Connection section 130-210) or  
 3 = STL-PK-3-F (Connection section 220-300)  
 Pos.6: STL-S-012x030-F (12x or 16x) Pos.7: STL-SU-012x035-F (8x)  
 Example: UL70KCBB1 = Scaffold, clamp connection, L1=925 mm, L=610 mm, STL-PK-1-F, Fz=2,1 kN



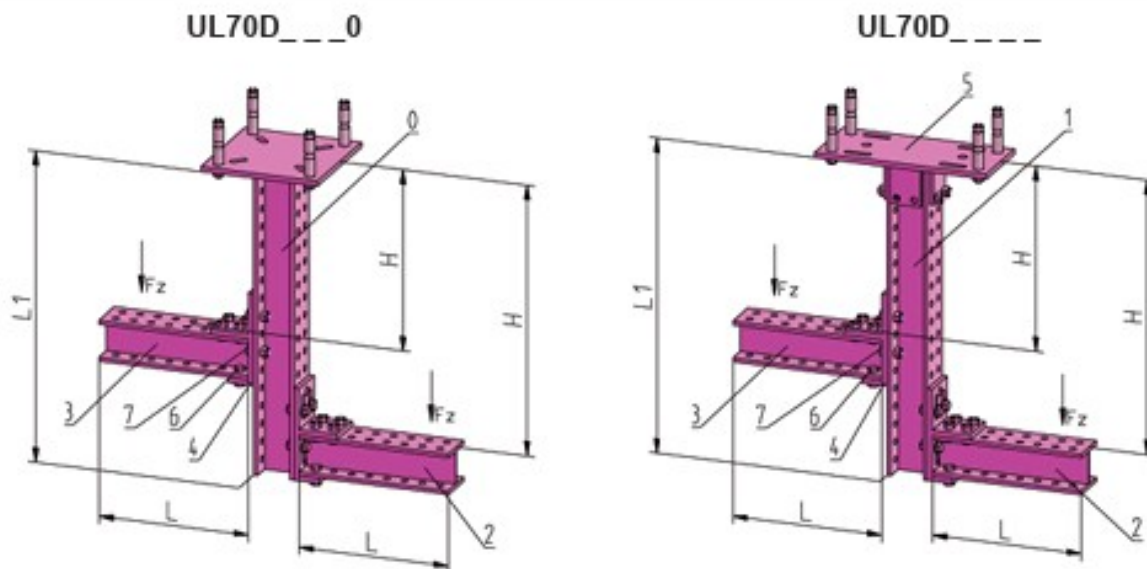
**Scaffold UL70K\_\_2 (Connection section 130-210)**

	L1	A__	B__	C__	D__	E__	F__
		H	101-234	-549	-884	-1179	-1494
<b>_AA L=295</b>	<b>Fz [kN]</b>	3,9	3,7	2,8	2,3	1,9	1,6
	<b>kg</b>	22,8	26,3	29,8	33,2	36,7	40,2
<b>_BB L=610</b>	<b>Fz [kN]</b>	2,2	2,2	2,1	1,8	1,5	1,3
	<b>kg</b>	29,2	33,3	36,8	40,2	43,7	47,2
<b>_CC L=925</b>	<b>Fz [kN]</b>	1,5	1,5	1,5	1,4	1,3	1,1
	<b>kg</b>	36,8	40,3	43,8	47,2	50,7	54,2
<b>_DD L=1240</b>	<b>Fz [kN]</b>	1,1	1,1	1,1	1,1	1,1	1,0
	<b>kg</b>	43,6	47,1	50,6	54,0	57,5	61,0

**Scaffold UL70K\_\_3 (Connection section 220-300)**

	L1	A__	B__	C__	D__	E__	F__
		H	101-234	-549	-884	-1179	-1494
<b>_AA L=295</b>	<b>Fz [kN]</b>	3,9	3,0	2,3	1,9	1,6	1,4
	<b>kg</b>	23,9	27,4	30,9	34,3	37,8	41,3
<b>_BB L=610</b>	<b>Fz [kN]</b>	2,2	2,1	1,7	1,5	1,3	1,1
	<b>kg</b>	30,9	34,4	37,9	41,3	44,8	47,3
<b>_CC L=925</b>	<b>Fz [kN]</b>	1,5	1,5	1,4	1,2	1,1	0,9
	<b>kg</b>	37,9	41,4	44,9	48,3	51,8	55,3
<b>_DD L=1240</b>	<b>Fz [kN]</b>	1,1	1,1	1,1	1,0	0,9	0,8
	<b>kg</b>	44,7	48,2	51,7	55,1	58,6	62,1

**Pos.0:** STL-SKK-0295-F up to STL-SKK-1240-F (Connection section 80-120)  
**Pos.1:** STL-0295-F up to STL-1870-F **Pos.2 + 3:** STL-0295-F up to STL-1240-F **Pos.4:** STL-PV-1-F (2x)  
**Pos.5:** 1 = STL-PK-1-F (Connection section 80-120) or  
 2 = STL-PK-2-F (Connection section 130-210) or  
 3 = STL-PK-3-F (Connection section 220-300)  
**Pos.6:** STL-S-012x030-F (12x or 16x) **Pos.7:** STL-SU-012x035-F (8x)  
**Example:** UL70KDCC3 = Scaffold, clamp connection, L1=1240 mm, L=925 mm, STL-PK-3-F, Fz=1,2 kN



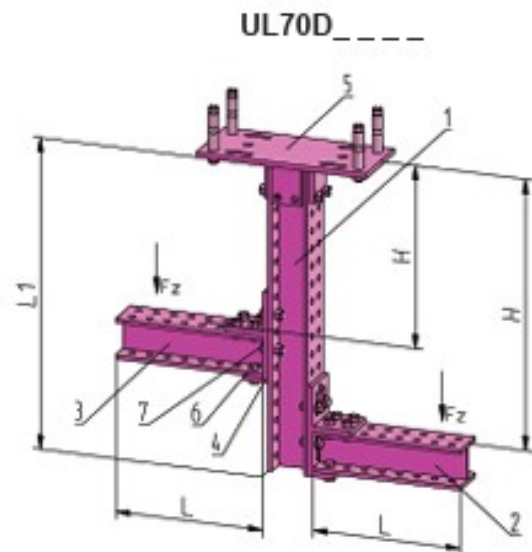
**Scaffold UL70D\_\_\_0 (Plugplate 230x230x10)**

	L1	A	B	C	D		
		295	610	925	1240		
	H	30-225	-540	-855	-1170		
<b>_AA L=295</b>	Fz [kN]	4,3	4,0	3,5	2,9		
	kg	18,9	22,4	25,9	29,3		
<b>_BB L=610</b>	Fz [kN]	2,1	2,1	2,0	1,9		
	kg	25,9	29,4	32,9	36,3		
<b>_CC L=925</b>	Fz [kN]	1,4	1,4	1,4	1,3		
	kg	32,9	36,4	39,9	43,3		
<b>_DD L=1240</b>	Fz [kN]	1,0	1,0	1,0	1,0		
	kg	39,7	43,2	46,7	50,1		

**Scaffold UL70D\_\_\_1 (Plugplate 150x250x10)**

	L1	A	B	C	D	E	F
		295	610	925	1240	1555	1870
	H	101-234	-549	-864	-1179	-1494	-1809
<b>_AA L=295</b>	Fz [kN]	2,3	1,6	1,2	1,0	0,8	0,7
	kg	19,7	23,2	26,7	30,1	33,6	37,1
<b>_BB L=610</b>	Fz [kN]	1,3	1,1	0,9	0,7	0,6	0,6
	kg	26,7	30,2	33,7	37,1	40,6	44,1
<b>_CC L=925</b>	Fz [kN]	0,9	0,8	0,7	0,6	0,5	0,5
	kg	33,7	37,2	40,7	44,1	47,6	51,1
<b>_DD L=1240</b>	Fz [kN]	0,7	0,6	0,5	0,5	0,4	0,4
	kg	40,5	44,0	47,5	50,9	54,4	57,9

- Pos.0:** STL-SKD-0295-F up to STL-SKD-1240-F (Centres of holes 180x180)  
**Pos.1:** STL-0295-F up to STL-1870-F **Pos.2 + 3:** STL-0295-F up to STL-1240-F **Pos.4:** STL-PV-1-F (2x)  
**Pos.5:** 1 = STL-PD-1-F (Centres of holes 100x200) or  
 2 = STL-PD-2-F (Centres of holes 100x290) or  
 3 = STL-PD-3-F (Centres of holes 100x380)  
**Pos.6:** STL-S-012x030-F (12x or 16x) **Pos.7:** STL-SU-012x035-F (8x)  
**Example:** UL70DCBB1 = Scaffold, plug connection, L1=925 mm, L=610 mm, STL-PD-1-F, Fz=0,9 kN



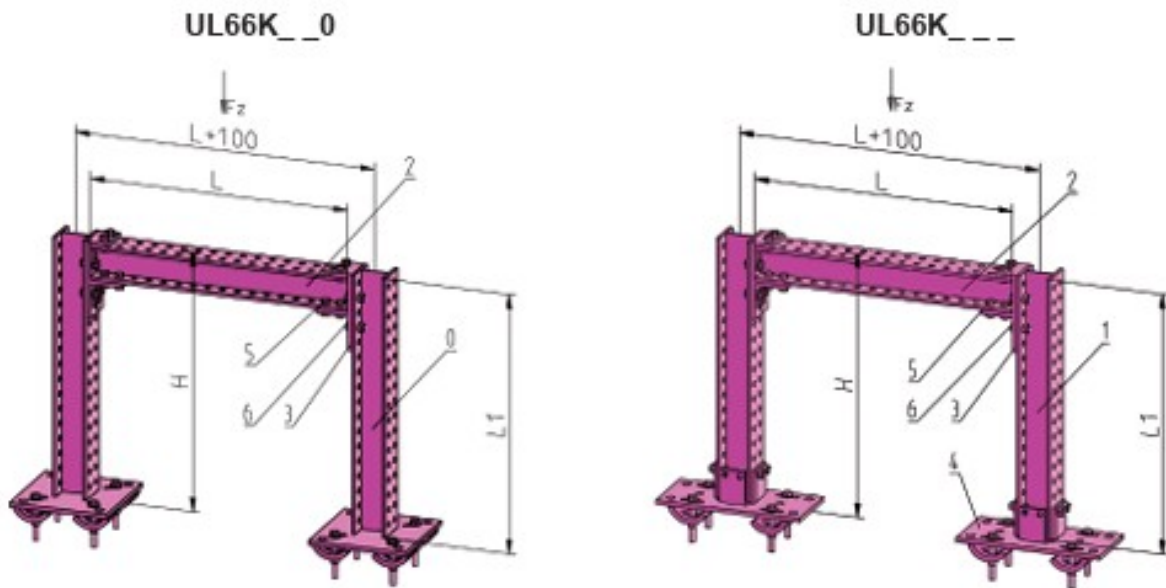
**Scaffold UL70D\_\_2 (Plugplate 150x340x10)**

	L1	A	B	C	D	E	F
		H	101-234	-549	-884	-1179	-1494
_AA L=295	Fz [kN]	2,4	1,7	1,3	1,0	0,9	0,7
	kg	20,8	24,3	27,8	31,2	34,7	38,2
_BB L=610	Fz [kN]	1,4	1,1	0,9	0,8	0,7	0,6
	kg	27,2	31,3	34,8	38,2	41,7	45,2
_CC L=925	Fz [kN]	1,0	0,8	0,7	0,6	0,6	0,5
	kg	34,8	38,3	41,8	45,2	48,7	52,2
_DD L=1240	Fz [kN]	0,8	0,7	0,6	0,5	0,5	0,4
	kg	41,6	45,1	48,6	52,0	55,5	59,0

**Scaffold UL70D\_\_3 (Plugplate 150x430x10)**

	L1	A	B	C	D	E	F
		H	101-234	-549	-884	-1179	-1494
_AA L=295	Fz [kN]	2,4	1,6	1,2	1,0	0,8	0,7
	kg	21,9	25,4	28,9	32,3	35,8	39,3
_BB L=610	Fz [kN]	1,4	1,1	0,9	0,8	0,7	0,6
	kg	28,9	32,4	35,9	39,3	42,8	45,3
_CC L=925	Fz [kN]	1,0	0,8	0,7	0,6	0,5	0,5
	kg	35,9	39,4	42,9	46,3	49,8	53,3
_DD L=1240	Fz [kN]	0,7	0,6	0,6	0,5	0,5	0,4
	kg	42,7	46,2	49,7	53,1	56,6	60,1

**Pos.0:** STL-SKD-0295-F up to STL-SKD-1240-F (Centres of holes 180x180)  
**Pos.1:** STL-0295-F up to STL-1870-F **Pos.2 + 3:** STL-0295-F up to STL-1240-F **Pos.4:** STL-PV-1-F (2x)  
**Pos.5:** 1 = STL-PD-1-F (Centres of holes 100x200) or  
 2 = STL-PD-2-F (Centres of holes 100x290) or  
 3 = STL-PD-3-F (Centres of holes 100x380)  
**Pos.6:** STL-S-012x030-F (12x or 16x) **Pos.7:** STL-SU-012x035-F (8x)  
**Example:** UL70DDCC3 = Scaffold, plug connection, L1=1240 mm, L=925 mm, STL-PD-3-F, Fz=0,6 kN



Bridge UL66K\_\_0 (Connection section 80-120)

	L1	A_	B_	C_	D_		
		295	610	925	1240		
H		100-305	-620	-935	-1250		
_B L=610	Fz [kN]	15,3	11,4	8,6	6,8		
	kg	30,6	37,8	44,6	51,4		
_C L=925	Fz [kN]	11,4	8,5	6,8	5,7		
	kg	34,1	41,1	48,1	54,9		
_D L=1240	Fz [kN]	9,1	6,8	5,7	4,9		
	kg	37,5	44,5	51,5	58,3		
_E L=1555	Fz [kN]	7,3	5,6	4,8	4,2		
	kg	41,0	48,0	55,0	61,8		
_F L=1870	Fz [kN]	6,1	4,8	4,2	3,7		
	kg	44,5	51,5	58,5	65,3		

Bridge UL66K\_\_1 (Connection section 80-120)

	L1	A_	B_	C_	D_	E_	F_
		295	610	925	1240	1555	1870
H		181-314	-629	-944	-1259	-1574	-1889
_B L=610	Fz [kN]	13,5	11,4	8,6	6,8	5,6	4,8
	kg	32,2	39,2	46,2	53,0	60,0	67,0
_C L=925	Fz [kN]	10,1	8,5	6,8	5,7	4,8	4,2
	kg	35,7	42,7	49,7	60,5	63,5	70,3
_D L=1240	Fz [kN]	8,0	6,8	5,7	4,9	4,3	3,8
	kg	39,1	46,1	53,1	59,9	66,9	73,9
_E L=1555	Fz [kN]	6,5	5,6	4,8	4,2	3,8	3,4
	kg	42,6	49,6	56,6	63,4	70,4	77,4
_F L=1870	Fz [kN]	5,5	4,8	4,2	3,7	3,4	3,1
	kg	46,1	53,1	60,1	66,9	73,9	80,9

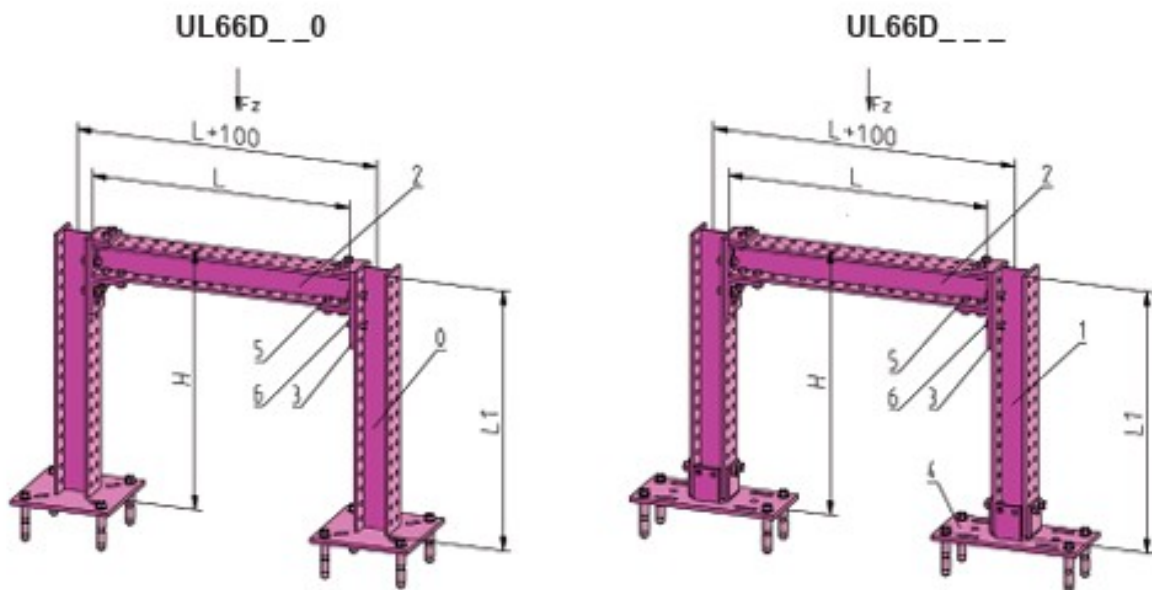
**Bridge UL66K\_2 (Connection section 130-210)**

	L1	A	B	C	D	E	F
		295	610	925	1240	1555	1870
H		181-314	-629	-944	-1259	-1574	-1889
_B L=610	Fz [kN]	13,5	11,4	8,8	6,8	5,8	4,8
	kg	34,4	41,4	48,4	55,2	62,2	69,2
_C L=925	Fz [kN]	10,1	8,5	6,8	5,7	4,8	4,2
	kg	37,9	44,9	51,9	58,7	65,7	72,7
_D L=1240	Fz [kN]	8,0	6,8	5,7	4,9	4,3	3,8
	kg	41,3	48,3	55,3	62,1	69,1	76,1
_E L=1555	Fz [kN]	6,5	5,6	4,8	4,2	3,8	3,4
	kg	44,8	51,8	58,8	65,6	72,6	79,6
_F L=1870	Fz [kN]	5,5	4,8	4,2	3,7	3,4	3,1
	kg	48,3	55,3	62,3	69,1	76,1	83,1

**Bridge UL66K\_3 (Connection section 220-300)**

	L1	A	B	C	D	E	F
		295	610	925	1240	1555	1870
H		181-314	-629	-944	-1259	-1574	-1889
_B L=610	Fz [kN]	13,5	11,4	8,8	6,8	5,8	4,8
	kg	38,6	43,6	50,8	57,4	64,4	71,4
_C L=925	Fz [kN]	10,1	8,5	6,8	5,7	4,8	4,2
	kg	40,1	47,1	54,1	60,9	67,9	74,9
_D L=1240	Fz [kN]	8,0	6,8	5,7	4,9	4,3	3,8
	kg	43,5	50,5	57,5	64,3	71,3	78,3
_E L=1555	Fz [kN]	6,5	5,6	4,8	4,2	3,8	3,4
	kg	47,0	54,0	61,0	67,8	74,8	81,8
_F L=1870	Fz [kN]	5,5	4,8	4,2	3,7	3,4	3,1
	kg	50,5	57,5	64,5	71,3	78,3	85,3

**Pos.0:** STL-SKK-0295-F up to STL-SKK-1240-F (Connection section 80-120) (2x)  
**Pos.1:** STL-0295-F up to STL-1870-F (2x)    **Pos.2:** STL-0610-F up to STL-1870-F    **Pos.3:** STL-PV-1-F (2x)  
**Pos.4:** 1 = STL-PK-1-F (Connection section 80-120) (2x) or  
 2 = STL-PK-2-F (Connection section 130-210) (2x) or  
 3 = STL-PK-3-F (Connection section 220-300) (2x)  
**Pos.5:** STL-S-012x030-F (12x or 20x)    **Pos.6:** STL-SU-012x035-F (8x)  
**Example:** UL66KCD1 = Bridge, clamp connection, L1=925 mm, L=1240 mm, STL-PK-1-F, Fz=5,7 kN



Bridge UL66D\_\_0 (Plugplate 230x230x10)

	L1	A	B	C	D		
		295	610	925	1240		
H		100-305	-620	-935	-1250		
_B L=610	Fz [kN]	20,8	19,8	15,7	12,8		
	kg	26,6	33,6	40,6	47,4		
_C L=925	Fz [kN]	17,1	13,1	11,2	9,8		
	kg	30,1	37,1	44,1	50,9		
_D L=1240	Fz [kN]	12,3	9,7	8,8	7,8		
	kg	33,5	40,5	47,5	54,3		
_E L=1555	Fz [kN]	9,5	7,7	7,0	6,4		
	kg	37,0	44,0	51,0	57,8		
_F L=1870	Fz [kN]	7,8	6,3	5,8	5,4		
	kg	40,5	47,5	54,5	61,3		

Bridge UL66D\_\_1 (Plugplate 150x250x10)

	L1	A	B	C	D	E	F
		295	610	925	1240	1555	1870
H		181-314	-629	-944	-1259	-1574	-1889
_B L=610	Fz [kN]	11,6	6,4	4,4	3,3	2,7	2,2
	kg	28,2	35,2	42,2	49,0	56,2	63,0
_C L=925	Fz [kN]	9,4	5,6	4,0	3,1	2,5	2,1
	kg	31,7	38,7	45,7	52,5	59,5	66,5
_D L=1240	Fz [kN]	7,9	5,0	3,7	2,9	2,4	2,0
	kg	35,1	42,1	49,1	55,9	66,9	69,9
_E L=1555	Fz [kN]	6,8	4,5	3,4	2,7	2,3	2,0
	kg	38,6	45,6	52,6	59,4	66,4	73,4
_F L=1870	Fz [kN]	6,0	4,1	3,2	2,6	2,2	1,9
	kg	42,1	49,1	56,1	62,9	69,9	76,9

### Bridge UL66D\_\_2 (Plugplate150x340x10)

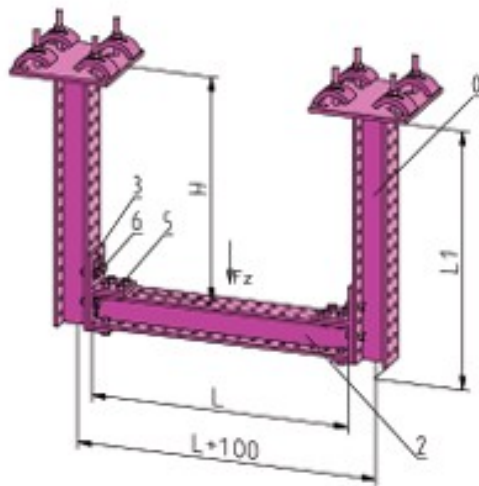
	L1	A_	B_	C_	D_	E_	F_
		295	610	925	1240	1555	1870
		H	-829	-944	-1259	-1574	-1889
_B L=610	Fz [kN]	12,3	6,8	4,7	3,6	2,9	2,4
	kg	30,4	37,4	44,4	51,0	58	65,0
_C L=925	Fz [kN]	10,0	6,0	4,3	3,3	2,7	2,3
	kg	33,9	40,9	47,9	54,7	61,7	68,7
_D L=1240	Fz [kN]	8,4	5,4	3,9	3,1	2,6	2,2
	kg	37,3	44,3	51,3	58,1	65,1	72,1
_E L=1555	Fz [kN]	7,3	4,8	3,6	2,9	2,4	2,1
	kg	40,8	47,8	54,8	61,6	68,6	75,6
_F L=1870	Fz [kN]	6,4	4,4	3,4	2,8	2,3	2,0
	kg	44,3	51,3	58,3	65,1	72,1	79,1

### Bridge UL66D\_\_3 (Plugplate150x430x10)

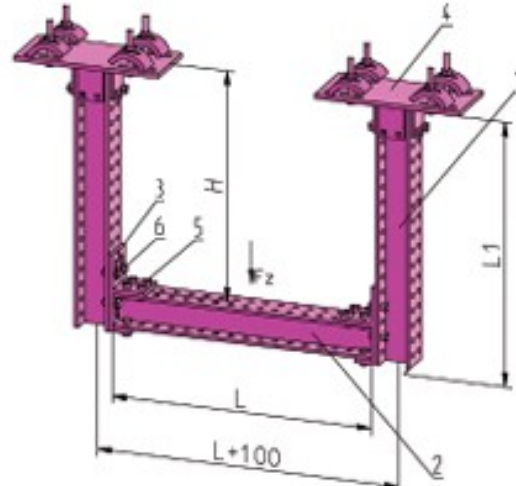
	L1	A_	B_	C_	D_	E_	F_
		295	610	925	1240	1555	1870
		H	-829	-944	-1259	-1574	-1889
_B L=610	Fz [kN]	12,1	6,7	4,6	3,5	2,8	2,3
	kg	32,6	39,6	46,6	53,4	60,4	67,4
_C L=925	Fz [kN]	9,8	5,9	4,2	3,2	2,6	2,2
	kg	36,1	43,1	50,1	56,9	63,9	70,9
_D L=1240	Fz [kN]	8,3	5,2	3,8	3,0	2,5	2,1
	kg	39,5	46,5	53,5	60,3	67,3	74,3
_E L=1555	Fz [kN]	7,1	4,7	3,6	2,9	2,4	2,0
	kg	43,0	50,0	57,0	63,8	70,8	77,8
_F L=1870	Fz [kN]	6,3	4,3	3,3	2,7	2,3	2,0
	kg	46,5	55,5	60,5	67,3	74,3	81,3

**Pos.0:** STL-SKD-0295-F up to STL-SKD-1240-F (Centres of holes 180x180) (2x)  
**Pos.1:** STL-0295-F up to STL-1870-F (2x)    **Pos.2:** STL-0610-F up to STL-1870-F    **Pos.3:** STL-PV-1-F (2x)  
**Pos.4:** 1 = STL-PD-1-F (Centres of holes 100x200) (2x) or  
2 = STL-PD-2-F (Centres of holes 100x290) (2x) or  
3 = STL-PD-3-F (Centres of holes 100x380) (2x)  
**Pos.5:** STL-S-012x030-F (12x or 20x)    **Pos.6:** STL-SU-012x035-F (8x)  
**Example:** UL66DCD0 = Bridge, plug connection, L1=925 mm, L=1240 mm, STL-SKD-0925-F, Fz=8,6 kN

UL71K\_0



UL71K\_1



Bridge UL71K\_0 (Connection section 80-120)

	L1	A	B	C	D		
		295	610	925	1240		
	H	30-225	-540	-855	-1170		
_B L=610	Fz [kN]	15,3	16,9	13,3	8,7		
	kg	30,6	37,6	44,6	51,4		
_C L=925	Fz [kN]	11,4	12,9	11,1	9,5		
	kg	34,1	41,1	48,1	54,9		
_D L=1240	Fz [kN]	9,1	10,5	9,4	8,3		
	kg	37,5	44,5	51,5	58,3		
_E L=1555	Fz [kN]	7,5	8,7	8,0	7,3		
	kg	41,0	48,0	55,0	61,8		
_F L=1870	Fz [kN]	6,3	7,5	7,0	6,4		
	kg	44,5	51,5	58,5	65,3		

Bridge UL71K\_1 (Connection section 80-120)

	L1	A	B	C	D	E	F
		295	610	925	1240	1555	1870
	H	101-234	-549	-864	-1179	-1494	-1809
_B L=610	Fz [kN]	13,5	16,9	13,3	8,7	6,5	5,2
	kg	32,2	39,2	46,2	53,0	60,0	67,0
_C L=925	Fz [kN]	10,1	12,9	11,1	9,5	7,3	5,6
	kg	35,7	42,7	49,7	60,5	63,5	70,3
_D L=1240	Fz [kN]	8,0	10,5	9,4	8,3	7,3	6,3
	kg	39,1	46,1	53,1	59,9	66,9	73,9
_E L=1555	Fz [kN]	6,5	8,7	8,0	7,3	6,6	6,0
	kg	42,6	49,6	56,6	63,4	70,4	77,4
_F L=1870	Fz [kN]	5,5	7,5	7,0	6,4	5,9	5,4
	kg	46,1	53,1	60,1	66,9	73,9	80,9

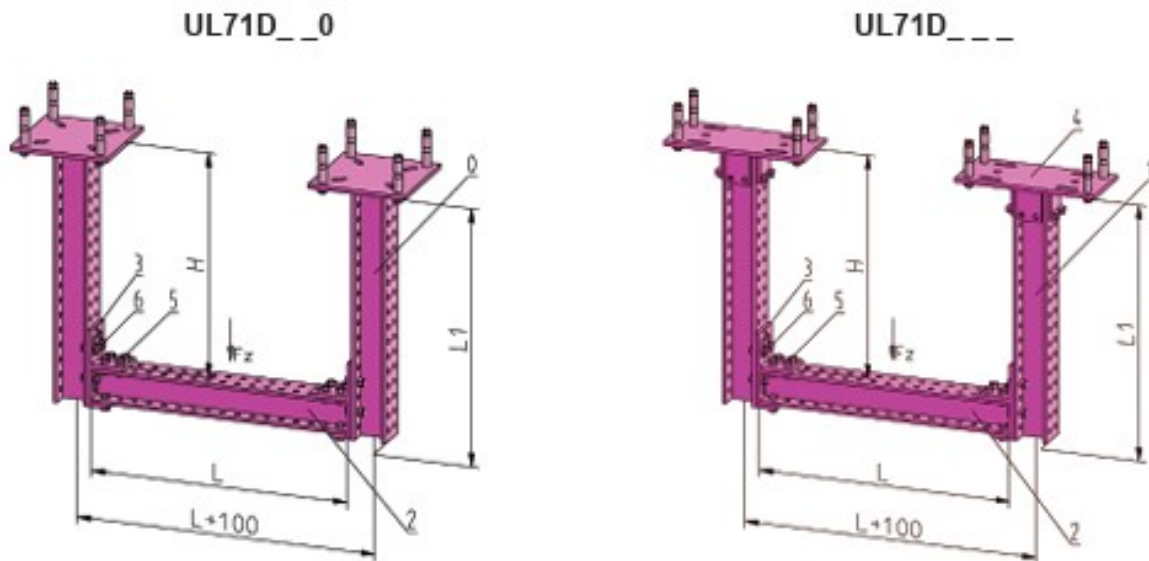
### Bridge UL71K\_2 (Connection section 130-210)

	L1	A_	B_	C_	D_	E_	F_
		295	610	925	1240	1555	1870
		H	-549	-864	-1179	-1494	-1809
_B L=610	Fz [kN]	13,5	16,9	13,3	8,7	6,5	5,2
	kg	34,4	41,4	48,4	55,2	62,2	69,2
_C L=925	Fz [kN]	10,1	12,9	11,1	9,5	7,3	5,6
	kg	37,9	44,9	51,9	58,7	65,7	72,7
_D L=1240	Fz [kN]	8,0	10,5	9,4	8,3	7,3	6,3
	kg	41,3	48,3	55,3	62,1	69,1	76,1
_E L=1555	Fz [kN]	6,5	8,7	8,0	7,3	6,8	6,0
	kg	44,8	51,8	58,8	65,6	72,6	79,6
_F L=1870	Fz [kN]	5,5	7,5	7,0	6,4	5,9	5,4
	kg	48,3	55,3	62,3	69,1	76,1	83,1

### Bridge UL71K\_3 (Connection section 220-300)

	L1	A_	B_	C_	D_	E_	F_
		295	610	925	1240	1555	1870
		H	-549	-864	-1179	-1494	-1809
_B L=610	Fz [kN]	13,5	15,8	10,5	7,9	6,3	5,2
	kg	36,6	43,6	50,8	57,4	64,4	71,4
_C L=925	Fz [kN]	10,1	12,9	10,8	8,1	6,5	5,4
	kg	40,1	47,1	54,1	60,9	67,9	74,9
_D L=1240	Fz [kN]	8,0	10,5	9,4	8,2	6,5	5,4
	kg	43,5	50,5	57,5	64,3	71,3	78,3
_E L=1555	Fz [kN]	6,5	8,7	8,0	7,3	6,8	5,5
	kg	47,0	54,0	61,0	67,8	74,8	81,8
_F L=1870	Fz [kN]	5,5	7,5	7,0	6,4	5,9	5,4
	kg	50,5	57,5	64,5	71,3	78,3	85,3

**Pos.0:** STL-SKK-0295-F up to STL-SKK-1240-F (Connection section 80-120) (2x)  
**Pos.1:** STL-0295-F up to STL-1870-F (2x)    **Pos.2:** STL-0610-F up to STL-1870-F    **Pos.3:** STL-PV-1-F (2x)  
**Pos.4:** 1 = STL-PK-1-F (Connection section 80-120) (2x) or  
 2 = STL-PK-2-F (Connection section 130-210) (2x) or  
 3 = STL-PK-3-F (Connection section 220-300) (2x)  
**Pos.5:** STL-S-012x030-F (12x or 20x)    **Pos.6:** STL-SU-012x035-F (8x)  
**Example:** UL71KCD1 = Bridge, clamp connection, L1=925 mm, L=1240 mm, STL-PK-1-F, Fz=9,4 kN



**Bridge UL71D\_0 (Plugplate 230x230x10)**

	L1	A	B	C	D		
		295	610	925	1240		
		H	-540	-855	-1170		
_B L=610	Fz [kN]	20,7	14,9	11,1	8,8		
	kg	26,8	33,8	40,8	47,4		
_C L=925	Fz [kN]	14,4	13,7	10,5	8,4		
	kg	30,1	37,1	44,1	50,9		
_D L=1240	Fz [kN]	11,0	12,3	9,8	8,1		
	kg	33,5	40,5	47,5	54,3		
_E L=1555	Fz [kN]	8,8	10,0	9,3	7,7		
	kg	37,0	44,0	51,0	57,8		
_F L=1870	Fz [kN]	7,3	8,4	8,5	7,3		
	kg	40,5	47,5	54,5	61,3		

**Bridge UL71D\_1 (Plugplate 150x250x10)**

	L1	A	B	C	D	E	F
		295	610	925	1240	1555	1870
		H	-549	-864	-1179	-1494	-1809
_B L=610	Fz [kN]	8,9	5,3	3,7	2,9	2,3	2,0
	kg	28,2	35,2	42,2	49,0	56,2	63,0
_C L=925	Fz [kN]	7,8	4,8	3,5	2,8	2,3	1,9
	kg	31,7	38,7	45,7	52,5	59,5	66,5
_D L=1240	Fz [kN]	6,6	4,4	3,3	2,6	2,2	1,9
	kg	35,1	42,1	49,1	55,9	66,9	69,9
_E L=1555	Fz [kN]	5,8	4,0	3,1	2,5	2,1	1,8
	kg	38,6	45,6	52,6	59,4	66,4	73,4
_F L=1870	Fz [kN]	5,2	3,7	2,9	2,4	2,0	1,7
	kg	42,1	49,1	56,1	62,9	69,9	76,9

**Bridge UL71D\_\_2 (Plugplate 150x340x10)**

	L1	A_	B_	C_	D_	E_	F_
		295	610	925	1240	1555	1870
H		101-234	-549	-864	-1179	-1494	-1809
_B L=610	Fz [kN]	9,4	5,6	4,0	3,1	2,5	2,1
	kg	30,4	37,4	44,4	51,0	58	65,0
_C L=925	Fz [kN]	8,1	5,1	3,7	2,9	2,4	2,1
	kg	33,9	40,9	47,9	54,7	61,7	68,7
_D L=1240	Fz [kN]	7,0	4,7	3,5	2,8	2,3	2,0
	kg	37,3	44,3	51,3	58,1	65,1	72,1
_E L=1555	Fz [kN]	6,2	4,3	3,3	2,7	2,2	1,9
	kg	40,8	47,8	54,8	61,6	68,6	75,6
_F L=1870	Fz [kN]	5,6	4,0	3,1	2,5	2,1	1,9
	kg	44,3	51,3	58,3	65,1	72,1	79,1

**Bridge UL71D\_\_3 (Plugplate 150x430x10)**

	L1	A_	B_	C_	D_	E_	F_
		295	610	925	1240	1555	1870
H		101-234	-549	-864	-1179	-1494	-1809
_B L=610	Fz [kN]	9,2	5,5	3,9	3,0	2,4	2,1
	kg	32,6	39,6	46,6	53,4	60,4	67,4
_C L=925	Fz [kN]	7,9	5,0	3,7	2,9	2,4	2,0
	kg	36,1	43,1	50,1	56,9	63,9	70,9
_D L=1240	Fz [kN]	6,9	4,6	3,4	2,7	2,3	1,9
	kg	39,5	46,5	53,5	60,3	67,3	74,3
_E L=1555	Fz [kN]	6,1	4,2	3,2	2,6	2,2	1,9
	kg	43,0	50,0	57,0	63,8	70,8	77,8
_F L=1870	Fz [kN]	5,5	3,9	3,0	2,5	2,1	1,8
	kg	46,5	55,5	60,5	67,3	74,3	81,3

**Pos.0:** STL-SKD-0295-F up to STL-SKD-1240-F (Centres of holes 180x180) (2x)  
**Pos.1:** STL-0295-F up to STL-1870-F (2x)    **Pos.2:** STL-0610-F up to STL-1870-F    **Pos.3:** STL-PV-1-F (2x)  
**Pos.4:** 1 = STL-PD-1-F (Centres of holes 100x200) (2x) or  
 2 = STL-PD-2-F (Centres of holes 100x290) (2x) or  
 3 = STL-PD-3-F (Centres of holes 100x380) (2x)  
**Pos.5:** STL-S-012x030-F (12x or 20x)    **Pos.6:** STL-SU-012x035-F (8x)  
**Example:** UL71DCD0 = Bridge, plug connection, L1=925 mm, L=1240 mm, STL-SKD-0925-F, Fz=9,8 kN

The BERNECKER-steelwork system is extremely versatile and easy to assemble thanks to its relatively small number of system components.

There are a number of important rules that must be followed however:

- The components are hot-dip galvanized and all necessary holes are predrilled at our factory. Drilling or welding on the components affects their loadbearing capacity and *should be avoided*.

**- Adapter plate assembly**

Position the system beam and insert the 4 bolts supplied through the head plate and screw them into the tapped holes in the adapter plate. Tighten the bolts down with a torque wrench - torque setting 210 Nm.

**- Adapter plate for clamp connection**

Slacken the clamping plates supplied, align to desired beam and clamp tight. Tighten down to torque setting 210 Nm.

**Caution: The bolt must be straight**

**- Adapter plate for plug connections**

Our stress calculations are based on the use of the LIEBIG Type 25 plugs which are supplied - these plugs are an integral part of the loadbearing capacity of the overall system.

The plug must be set according to the instructions and building control approvals of the plug manufacturer. The specification sheet for the LIEBIG plugs which we supply is enclosed.

Please contact COBALCH if using plugs supplied by other manufacturers (phone +45 45 820533)

**- Assembly in general**

The system beams can be connected to each other in a wide variety of ways. Loadings for a number of typical applications as illustrated on pages 12 - 40 are listed in the tables on these pages.

The screw fastenings supplied must be used as shown in the sketch and tightened with a torque wrench (setting 210 Nm.)

Washer plates type STB-U-016-F must be fitted on the flange side in all 90° connections (see sketch).

