

PIPE SUPPORTS ACCORDING TO SSG STANDARD 7005



On the following pages we present our pipe supports manufactured in accordance with the SSG Standard which encompasses the full range of hangers, guides, supports and brackets for piping systems. All products except springs are delivered hot-galvanised as standard. The standard is intended for use with piping in accordance with the dimension range DN 10-600 as stated below.

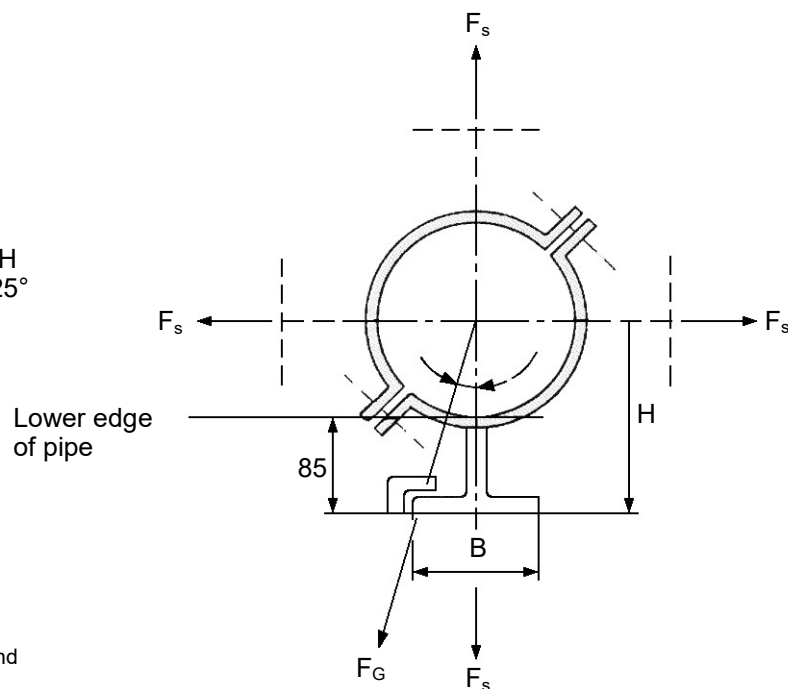
Stainless steel pipes, max 200° C - Rigid thermo-plastic pipes
Unalloyed steel pipes, max 200° C - Resin-plastic pipes

The standard has been developed by the Swedish Forest Industry's Technical Installation Group, SSG, which is a co-operative organisation for the Swedish forest industry, and in collaboration with certain major pipe manufacturers.

SSG 7149

$$B_{min} = 2/3 H$$

$$\epsilon = 18 \pm 0,25^\circ$$



The drawings are not standardised. Only stated measurement, function and strength information is standardised.

DN	40	50	80	100	125	150	200	250	300	350	400	500	600
Min. Length (sliding shoe)	100	100	150	150	150	150	300	300	300	300	400	400	400
Permitted load kN (F _G , F _S)	2	2	4	4	7	7	10	15	20	25	35	40	40
Permitted side load kN ¹⁾	0,6	0,6	1,2	1,2	2,1	2,1	3	4,5	6	7,5	11	12	12
Rated load	1,5 x F _S												

1) Permitted side load at sliding shoe is -30% of permitted load.

For the rating test load is applied to the centre for the pipe. Application of the load and support shall not be torque rigid.

Residual deformation is not permitted.

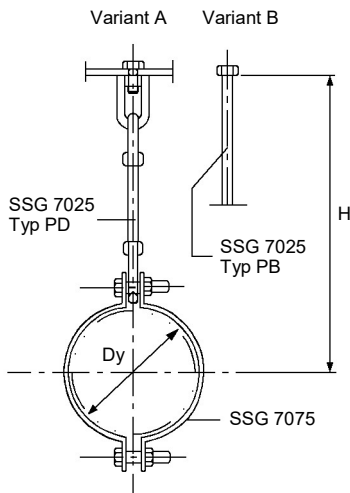
For guides, the direction of force shall be at right angles to the guide surface (F_s) and for sliding supports at a diagonal.

During load rating testing of sliding supports a restrainer clip shall be employed as the boundary on one side

PIPE SUPPORTS SSG STANDARD SSG 7005

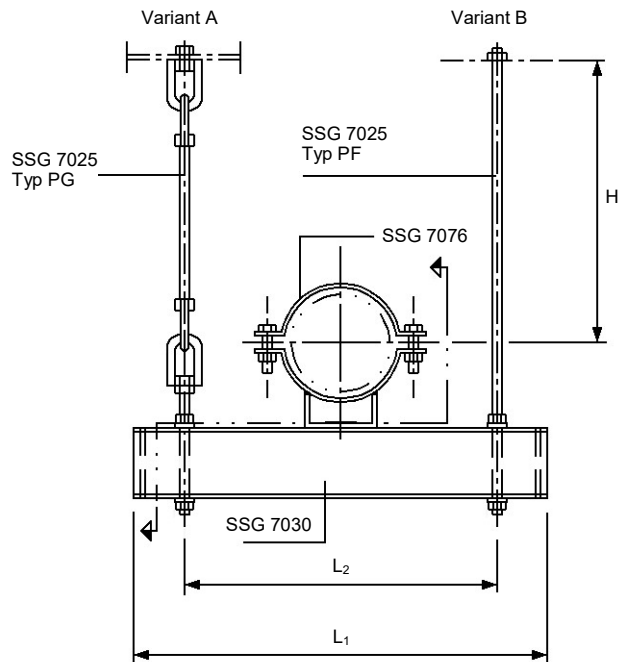
Type 1

Designation: Hanger SSG 7005
Type and variant - Dy - H
Example.....: Hanger SSG 7005
Type 1 A - Dy 203 - H 900
Dim. range 10-600



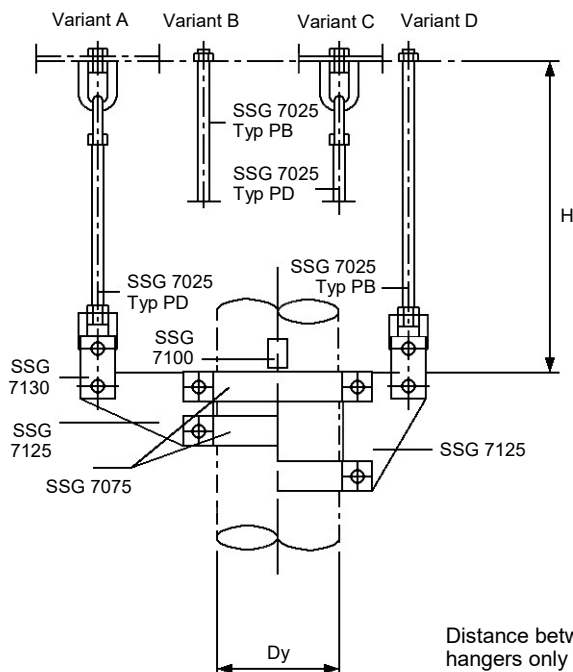
Type 2

Designation: Hanger SSG 7005
Type and variant - Dy - H - L1 - L2
Example.....: Hanger SSG 7005
Type 2 A - Dy 88,9 - H 900 - L1 1000 - L2 800
Dim. range 40-600



Type 3

Designation: Hanger SSG 7005 - Type and variant - Dy
- H + Stop lug SSG 7100 - Type - Number
Example.....: Hanger SSG 7005 - Type 3 A - Dy 203
- H 900 + Stop lug SSG 7100 - Type B - 4 pcs.
Dim. range 40-600



Type 4

Designation: Spring hanger SSG 7005 -
Type - Dy - H - Spring basket No
Example.....: Spring hanger SSG 7005 -
Type 4 - Dy 203 - H 900 - No 500
Dim. range 25-600

Coil spring are available
as follows:

- No. 1,5 for max. load 150 kp
- No. 3 for max. load 300 kp
- No. 5 for max. load 500 kp
- No. 8 for max. load 800 kp
- No. 14 for max. load 1400 kp
- No. 20 for max. load 2000 kp
- No. 30 for max. load 3000 kp

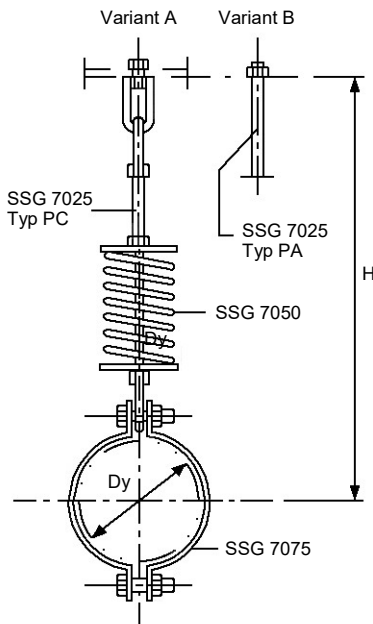


PIPE SUPPORTS SSG STANDARD SSG 7005

Type 5

Designation: Spring hanger SSG 7005 -
Type and variant - Dy - H - Spring
basket No

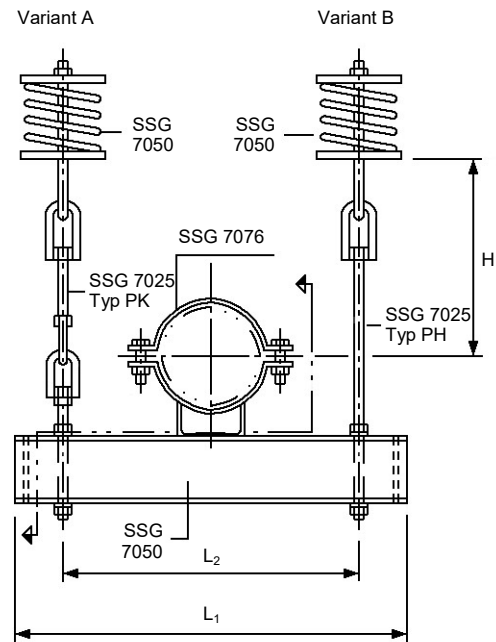
Example.....: Spring hanger SSG 7005 -
Type 5 A - Dy 203 - H 900 - No 500
Dim. range. 25-600



Type 6

Designation: Spring hanger SSG 7005 -
Type and variant - Dy - H - Spring
basket No - L1 - L2

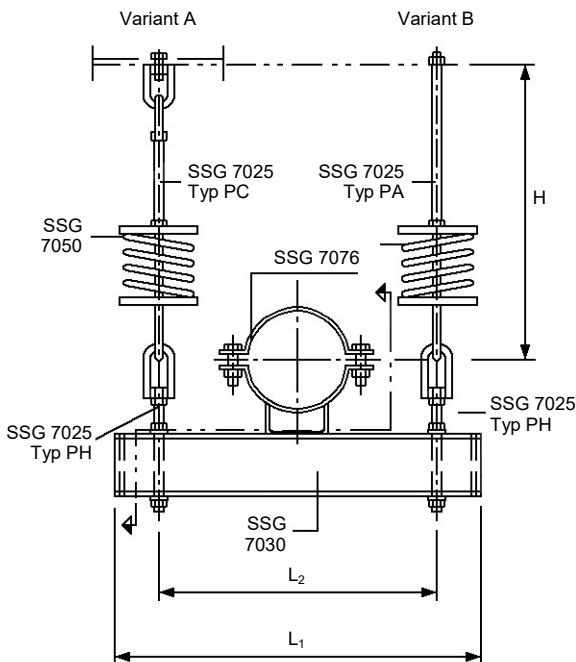
Example.....: Spring hanger SSG 7005 - Type 6A
- Dy 88,9 - H 900 - No 150 - L1 1000 -
L2 800
Dim. range 40-600



Type 7

Designation: Spring hanger SSG 7005 -
Type and variant - Dy - H - Spring basket No -
L1 - L2

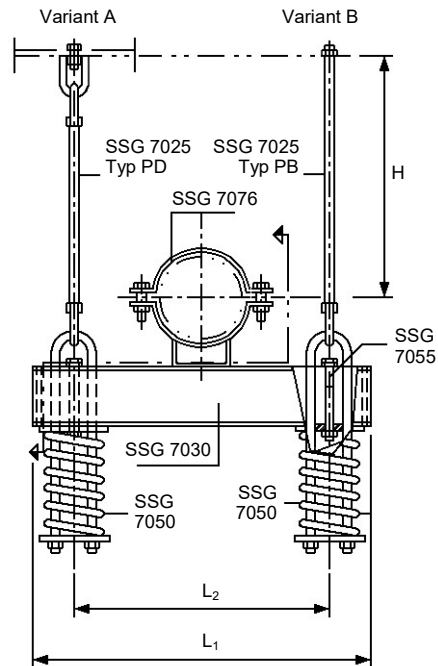
Example.....: Spring hanger SSG 7005 - Type 7 A
- Dy 88,9 - H 900 - No 150 - L1 1000 - L2 800
Dim. range 40-600



Type 8

Designation: Spring hanger SSG 7005 -
Type and variant - Dy - H - Spring basket
No - L1 - L2

Example.....: Spring hanger SSG 7005 -
Type 8 A - Dy 88,9 - H 900 - No 150 -
L1 1000 - L2 800
Dim. range 40-600



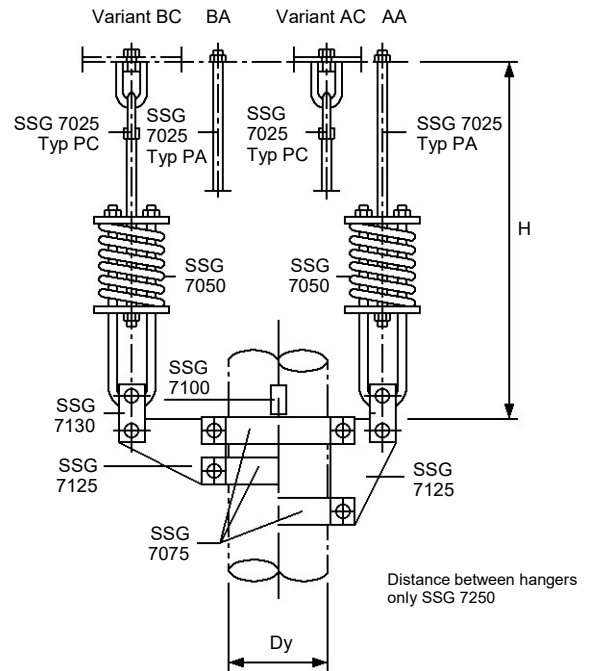
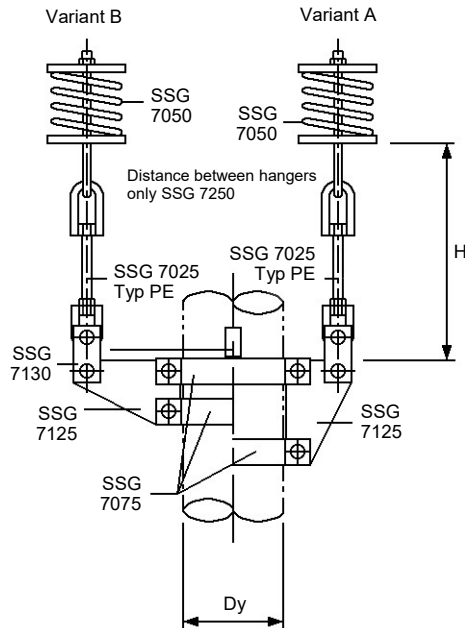
PIPE SUPPORTS SSG STANDARD SSG 7005

Type 9

Designation: Spring hanger SSG 7005 -
Type and variant - Dy - H - Spring basket No+
Stop lug SSG 7100 - Type - Number
Example.....: Spring hanger SSG 7005 - Type 9 A
- Dy 203 - H 900 - No 300 + Stop lug SSG
7100 - Type B - 2 pcs.
Dim. range 40-600

Type 10

Designation: Spring hanger SSG 7005 -
Type and variant - Dy - H - Spring basket No
+ Stop lug SSG 7100 - Type - Number
Example.....: Spring hanger SSG 7005 - Type 10
- AA Dy 203 - H 900 - No 300 + Stop lug
SSG 7100 - Type B - 2 pcs.
For pipes DY \geq 43



Type 11

The standard for sliding support Type 11 encompasses two types, 11 A and 11 B.

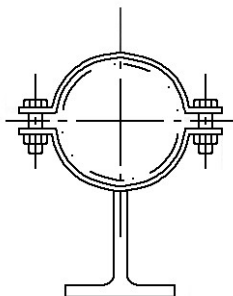
Sliding support type 11 A is intended for non-insulated, protective insulated and insulated piping with max 80 mm thick insulation.

The standard for type 11 A states only principle requirements for design which allows for various slide supports design. See SSG 7149.

Sliding support type 11 B is intended for insulated piping $S \leq 200^\circ \text{C}$.

The drawing is not standard.

For pipes Dy \leq 610



Type 11 A

Sliding support for non-insulated, protective insulated and insulated pipes with max 80 mm thick insulation.

Designation: Sliding support SSG 7005 - Type - Dy - Material
Example.....: Sliding support SSG 7005 - Type 11 A - Dy 154

Information on material and surface treatment plus required height, length and permitted load is provided in SSG 7149.

PIPE SUPPORT SSG STANDARD SSG 7005

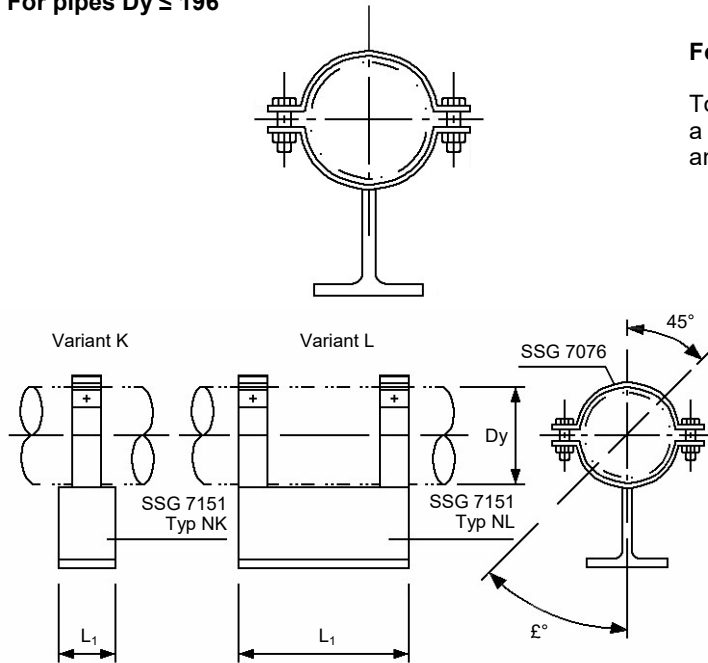
Type 11 B

Sliding support for pipes

Designation: Sliding support SSG 7005 - Type and (variant 1) - Dy - (L1 - £°)1)

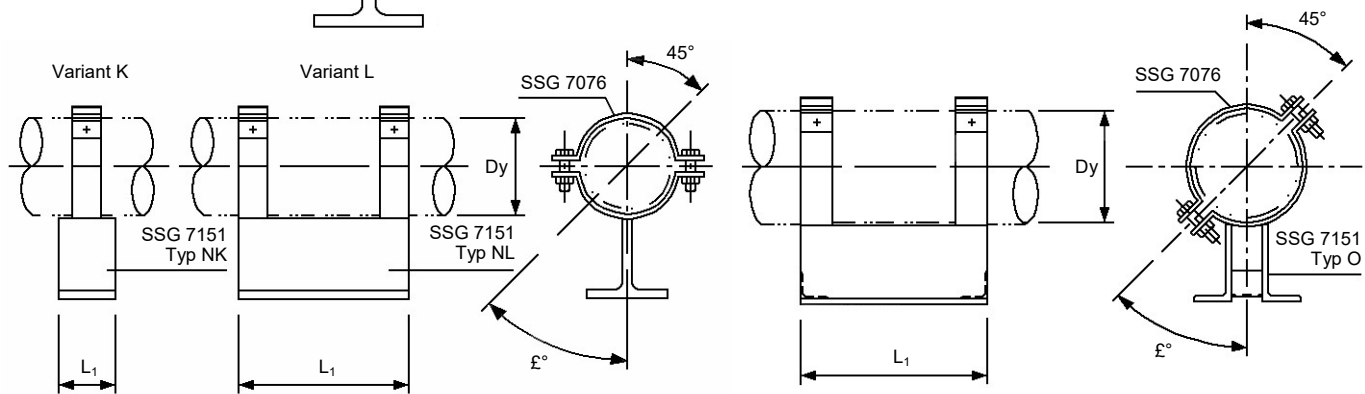
Example.....: Sliding support SSG 7005 - Type 11 BK - Dy 154

For pipes Dy ≤ 196



For pipes Dy > 196

To insulate the interior of the sliding support insert a covering aluminium plate between the angle bars and fill the space created with insulation.



1) Is only indicated by deviation from standard.

Type 12

The standard for sliding support Type 12 encompasses two types, 12 A and 12 B. Sliding support type 12 A is intended for non-insulated, protective insulated and insulated piping with max 80 mm thick insulation. The standard for type 12 A states only principle requirements for design which allows for various slide support designs. See SSG 7149.

Slide support type 12 B is intended for insulated piping $S \leq 200^\circ \text{C}$.

Type 12 A

Sliding support for non-insulated, protective insulated and insulated piping with max 80 mm thick insulation.

Designation: Sliding support SSG 7005 - Type - Dy - Material + Restraining clips SSG 7155 - Type A

Example.....: Sliding support SSG 7005 - Type 12 A - Dy 154 + Restraining clips SSG 7155 - Type A

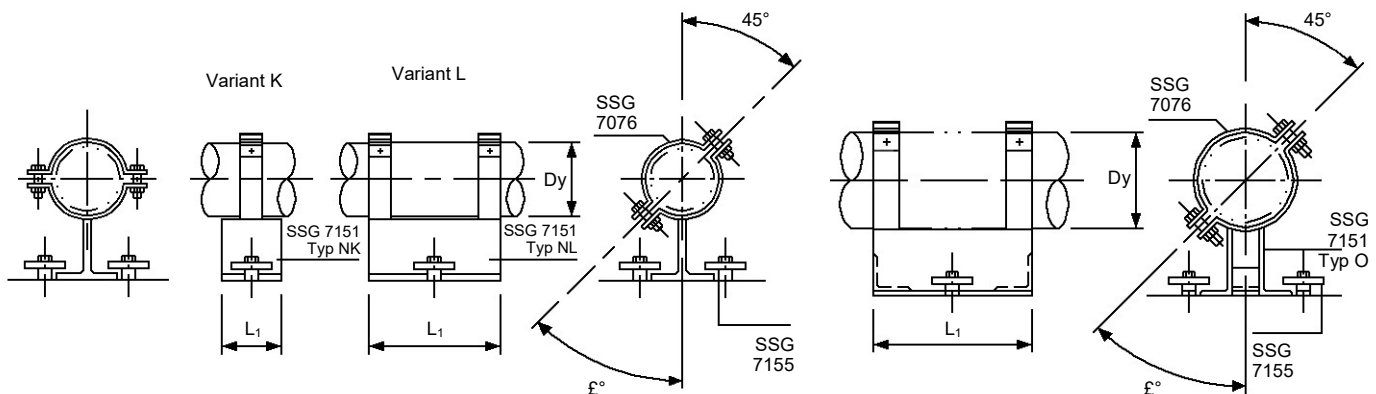
The drawing is not standard.

Type 12 B

Sliding support for insulated pipes.

Designation: Sliding support SSG 7005 - Type and (variant1) - Dy (L1 - £°)1) + Restraining clips SSG 7155 - Type

Example.....: Sliding support 7005 - Type 12 BK - Dy 154 + Restraining clips SSG 7155 - Type A



1) Is only indicated by deviation from standard.

PIPE SUPPORT SSG STANDARD SSG 7005

Type 13

The standard for guide Type 13 encompasses two types, 13 A and 13 B.

Guide type 13 A is intended for non-insulated, protective insulated and insulated piping max 80 mm thick insulation.

The standard for type 13 A states only principle requirements for design which allows for various slide support designs.

See SSG 7149.

Guide type 13 B is intended for insulated piping $S \leq 200^\circ \text{C}$.

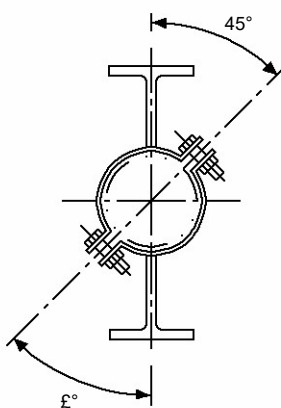
Type 13 A

Guide for non-insulated, protective insulated and insulated piping with max 80 mm thick insulation.

Designation: Guide SSG7005 - Type - Dy - Material

Example.....: Guide SSG 7005 - Type 13 A - Dy 154

The drawing is not standard.



For pipes $Dy \leq 610$

Information on material and surface treatment plus required height, length and permitted load is provided in SSG 7149.

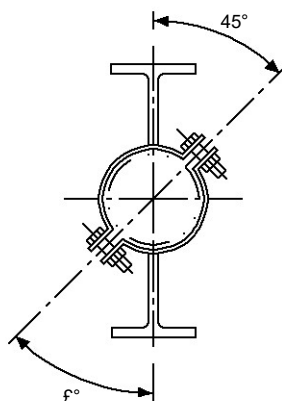
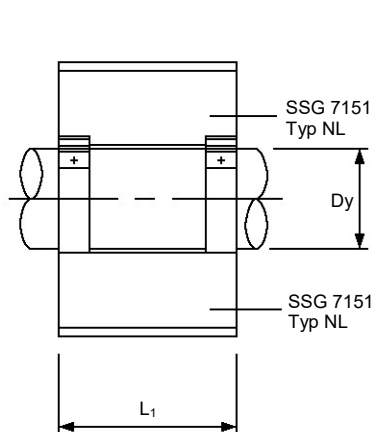
Type 13 B

Guide for insulated pipes.

Designation: Guide SSG 7005 - Type - Dy - (L1 - 1°)1)

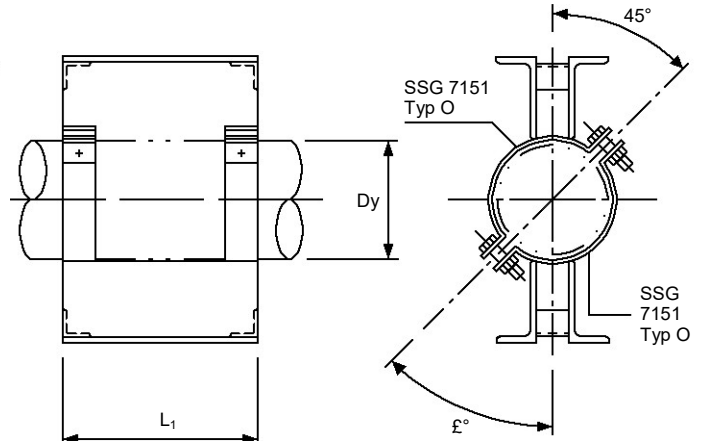
Example.....: Guide SSG 7005 - Type 13 B - Dy 154

For pipes $Dy \leq 196$



For pipes $Dy > 196$

To insulate the interior of the sliding support insert a covering aluminium plate between the angle bars and fill the space created with insulation.



1) Ls only indicated by deviation from standard.

PIPE SUPPORT SSG STANDARD SSG 7005

Type 14

The standard for guide Type 14 encompasses two types, 14 A and 14 B.

Guide type 14 A is intended for non-insulated, protective insulated and insulated piping with max 80 mm thick insulation. The standard for type 14 A states only principle requirements for design which allows for various slide support designs. See SSG 7149.

Guide type 14 B is intended for insulated piping $S \leq 200^\circ \text{C}$.

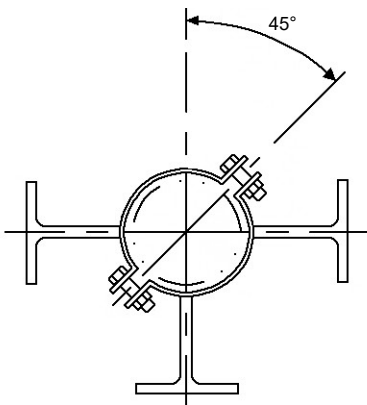
Type 14 A

Guide for non-insulated, protective insulated and insulated piping with max 80 mm thick insulation.

Designation: Guide SSG7005 - Type - Dy - Material

Example.....: Guide SSG 7005 - Type 14 A - Dy 154

The drawing is not standard.



For pipes $Dy \leq 610$

Information on material and surface treatment plus required height, length and permitted load is provided in SSG 7149.

Type 14 B

Guide for isolated pipes.

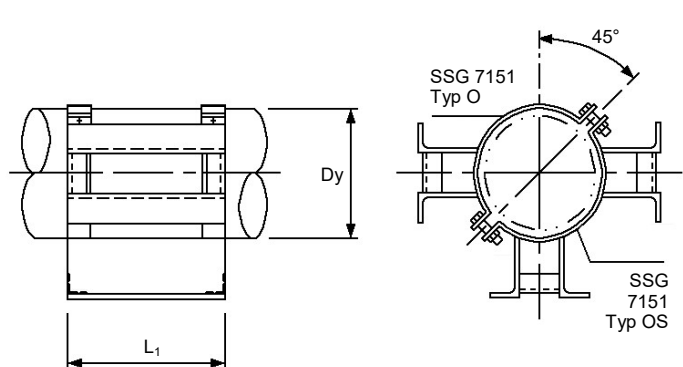
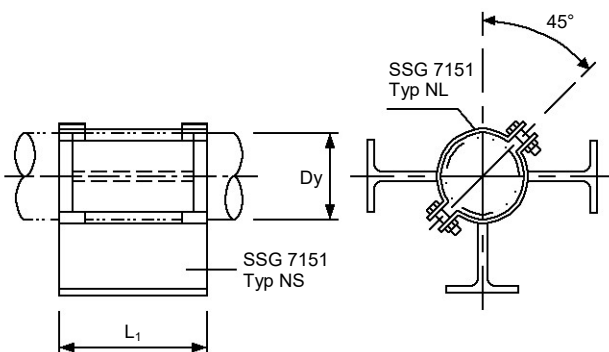
Designation: Guide SSG 7005 - Type - Dy - (L1)1)

Example.....: Guide SSG 7005 - Type 14 B - Dy 154

For pipes $Dy \leq 196$

For pipes $Dy > 196$

To insulate the interior of the sliding support insert a covering aluminium plate between the angle bars and fill the space created with insulation.



1) Ls only indicated by deviation from standard.

PIPE SUPPORTS SSG STANDARD SSG 7005

Type 15

The standard for guide Type 15 encompasses two types, 15 A and 15 B.

Guide type 15 A is intended for non-insulated, protective insulated and insulated piping with max 80 mm thick insulation. The standard for type 15 A states only principle requirements for design which allows for various slide support designs. See SSG 7149.

Guide type 15 B is intended for insulated piping $S \leq 200^\circ \text{C}$.

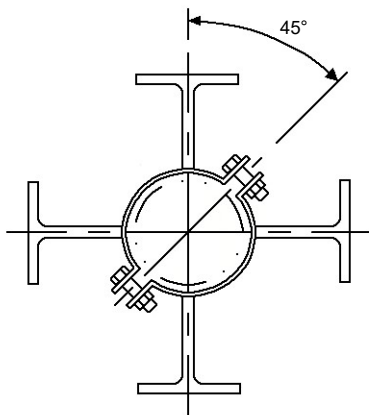
Type 15 A

Guide non-insulated, protective insulated and insulated piping with max 80 mm thick insulation.

Designation: Guide SSG7005 - Type - Dy - Material

Example.....: Guide SSG 7005 - Type 15 A - Dy 154

The drawing is not standard.



For pipes $Dy \leq 610$

Information on material and surface treatment plus required height, length and permitted load is provided in SSG 7149.

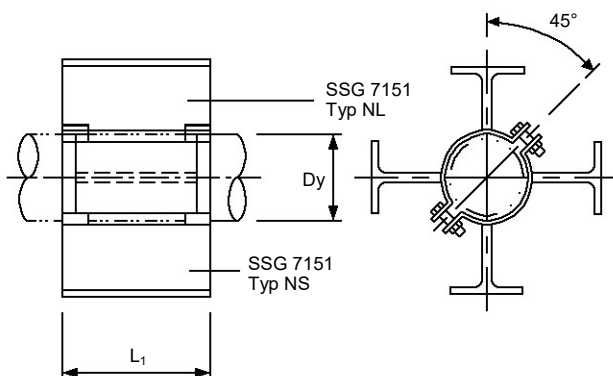
Type 15 B

Guide for isolated pipes.

Designation: Guide SSG 7005 - Type - Dy - (L1)1

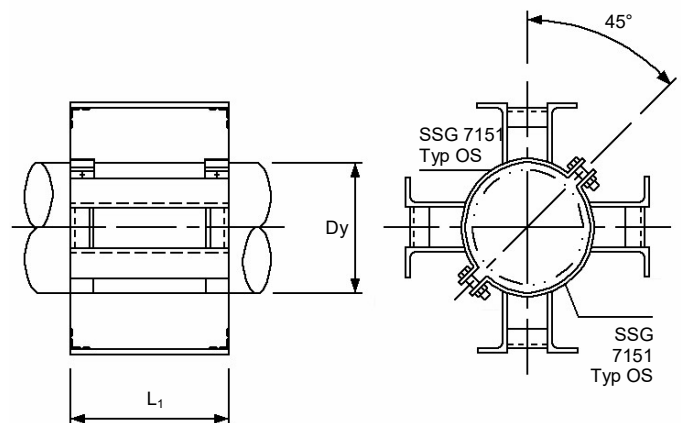
Example.....: Guide SSG 7005 - Type 15 B - Dy 154

For pipes $Dy \leq 196$



For pipes $Dy > 196$

The sliding support is by isolation furnished inside with a covering aluminium plate between the angle bars.



1) Is only indicated by deviation from standard.

PIPE SUPPORTS SSG STANDARD SSG 7005

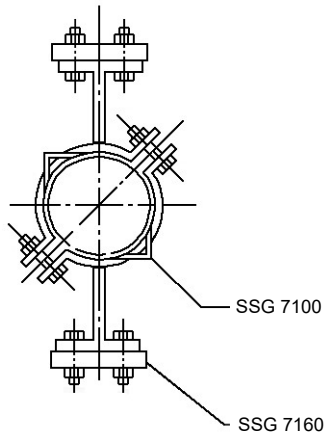
Type 16

Guide for isolated pipes.

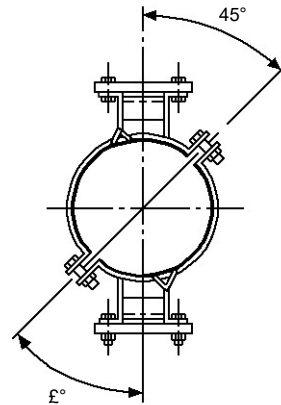
Designation: Guide SSG 7005 - Type - Dy (L1 - £°)1) + Stop lug SSG 7100 - Type - Number

Example.....: Guide SSG 7005 - Type 16 B - Dy 154 + Stop lug SSG 7100 - Type B - 4 pieces

For pipes Dy ≤ 196



For pipes Dy > 196



To insulate the interior of the sliding support insert a covering aluminium plate between the angle bars and fill the space created with insulation.

1) Is only indicated by deviation from standard.

Type 17

Type 17 A Spring guide for non-insulated or protective isolated pipes.

Type 17 B Spring guide for isolated pipes.

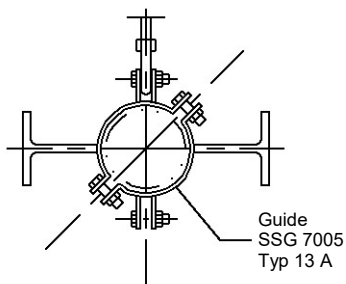
Designation: Spring guide SSG 7005 - Type - Dy - H - Spring basket No - (L1 - £°)1)

Example.....: Spring guide SSG 7005 - Type 17 A - Dy 154 - H 900 - No 3

Typ 17 A

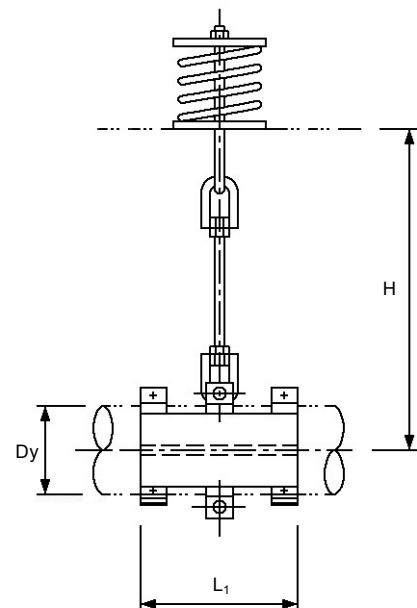
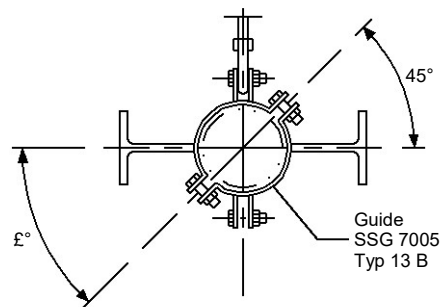
For pipes Dy ≥ 75

A-A



Typ 17 B

For pipes Dy ≤ 196



1) Is only indicated by deviation from standard.

PIPE SUPPORTS SSG STANDARD SSG 7005

Type 18

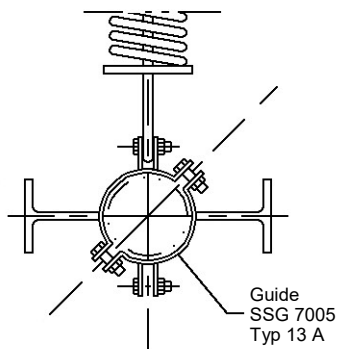
Type 18 A Spring guide for non-isolated or protective isolated pipes.

Type 18 B Spring guide for isolated pipes.

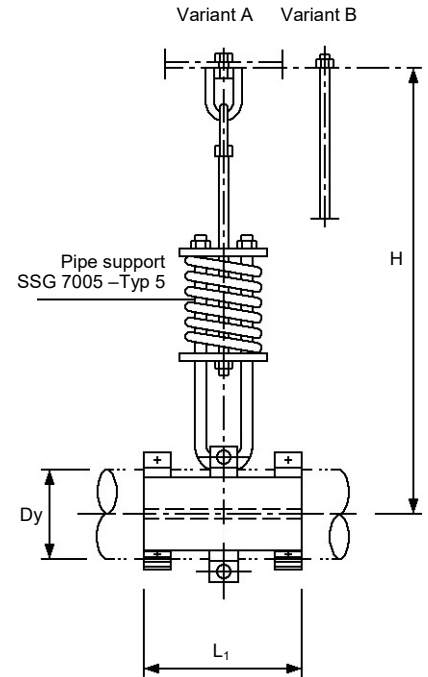
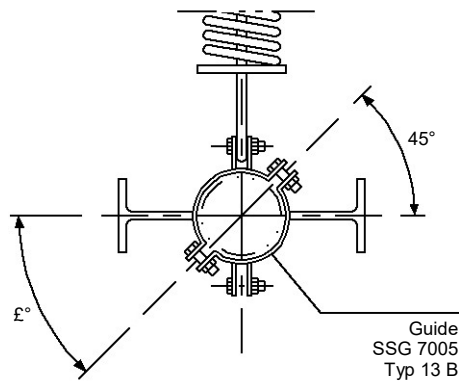
Designation: Spring guide SSG 7005 - Type - Dy - H - Spring basket No - (L1 - ϵ°)1)

Example.....: Spring guide SSG 7005 - Type 18 A - Dy 154 - H 900 - No 3

Typ 18 A For pipes $Dy \geq 375$



Typ 18 B For pipes $Dy \leq 196$



1) Is only indicated by deviation from standard.

Type 27

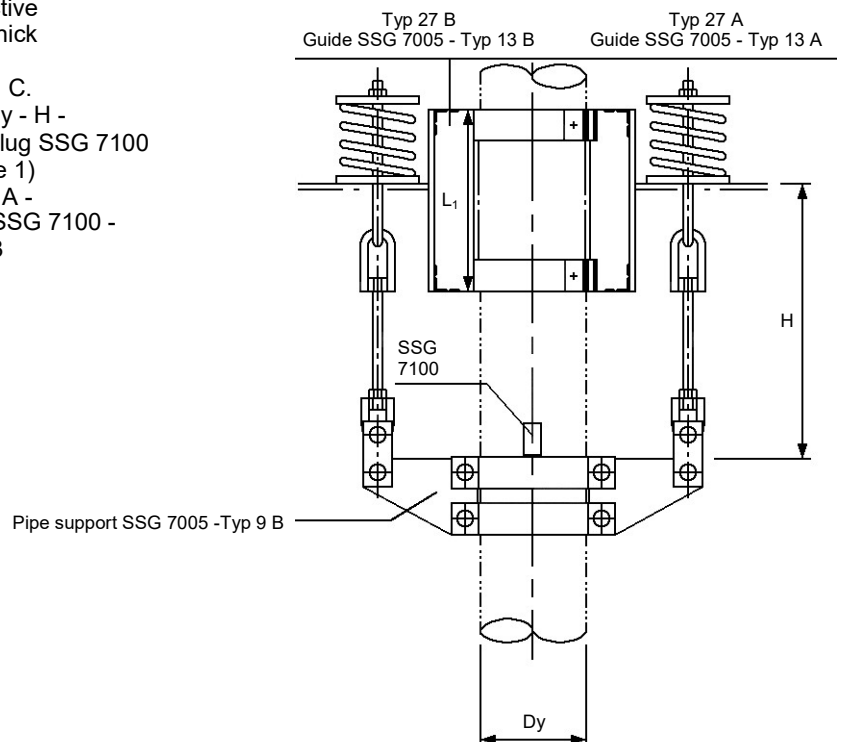
Type 27 A Spring guide for non-insulated, protective insulated and insulated piping with max 80 mm thick insulation.

Type 27 B Spring guide for isolated pipes $\leq 200^\circ \text{C}$.

Designation: Spring guide SSG 7005 - Type - Dy - H - Spring basket No - (L1¹)1) + Stop lug SSG 7100 - Type - Number - Material in guide 1)

Example.....: Spring guide SSG 7005 - Type 27 A - Dy 203 - H 900 - No 3 + Stop lug SSG 7100 - Type B - 2 pieces - SS Steel 23 33

For pipes $Dy \geq 43$



1) Is only indicated by deviation from standard.

PIPE SUPPORTS SSG STANDARD SSG 7005

Type 28

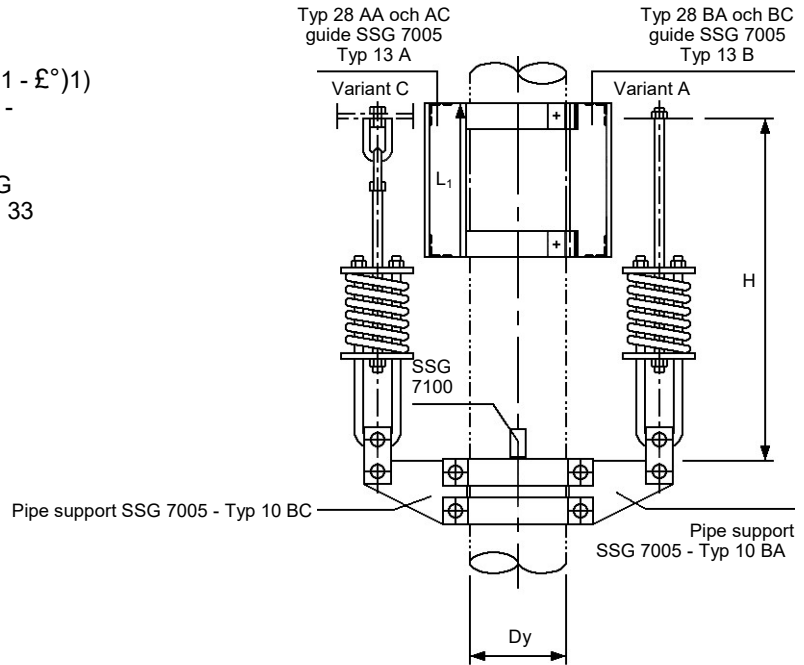
Type 28 AA and AC Spring guide for non-insulated, protective insulated and insulated piping with max 80 mm thick insulation.

Type 28 BA and BC Spring guide for insulated pipes $\leq 200^{\circ}\text{C}$.

Designation: Spring guide SSG 7005 - Type and variant - Dy - H - Spring basket No - (L1 - £°)1) + Stop lug SSG 7100 - Type - Number - Material in guide2)

Example.....: Spring guide SSG 7005 - Type 28 AA - Dy 203 - H 900 - No 3 + Stop lug SSG 7100 - Type B - 2 pieces - SS Steel 23 33

For pipes $Dy \geq 43$



1) Is only indicated by Type 28 B and deviaton from standard
2) Is only indicated for Type 28 A

Type 29

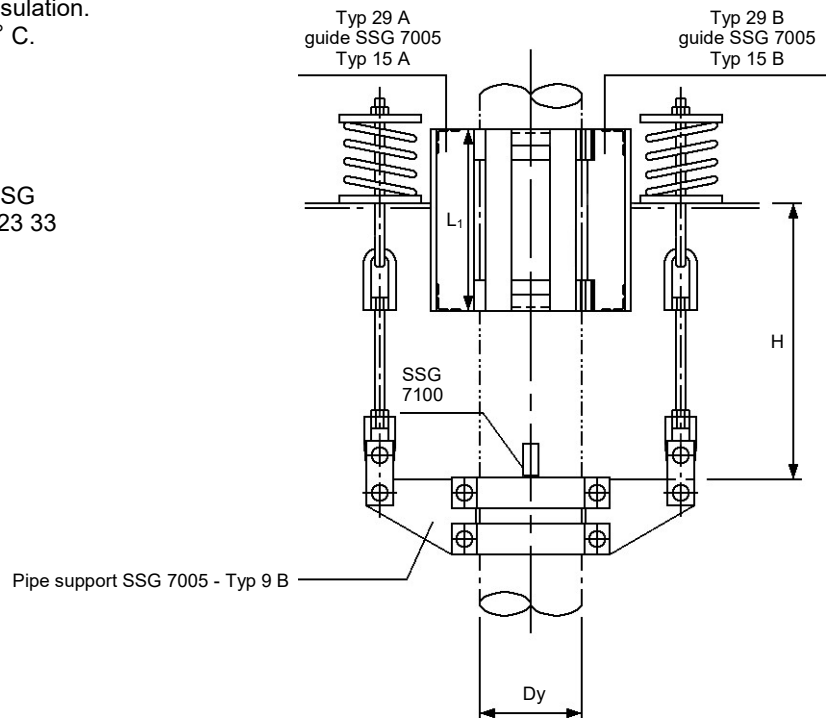
Type 29 A Spring guide for non-insulated, protective insulated and insulated piping with 80 mm thick insulation.

Type 29 B Spring guide for insulated pipes $\leq 200^{\circ}\text{C}$.

Designation: Spring guide SSG 7005 - Type - Dy - H - Spring basket No - (L1 - £°)1) + Stop lug 7100 - Type - Number - Material in guide2)

Example.....: Spring guide SSG 7005 - Type 29 A - Dy 203 - H 900 - No 3 + Stop lug SSG 7100 - Type B - 2 pieces - SS Steel 23 33

For pipes $Dy \geq 43$



1) Is only indicated by Type 28 B and deviaton from standard
2) Is only indicated for Type 28 A

PIPE SUPPORTS SSG STANDARD SSG 7005

Type 30

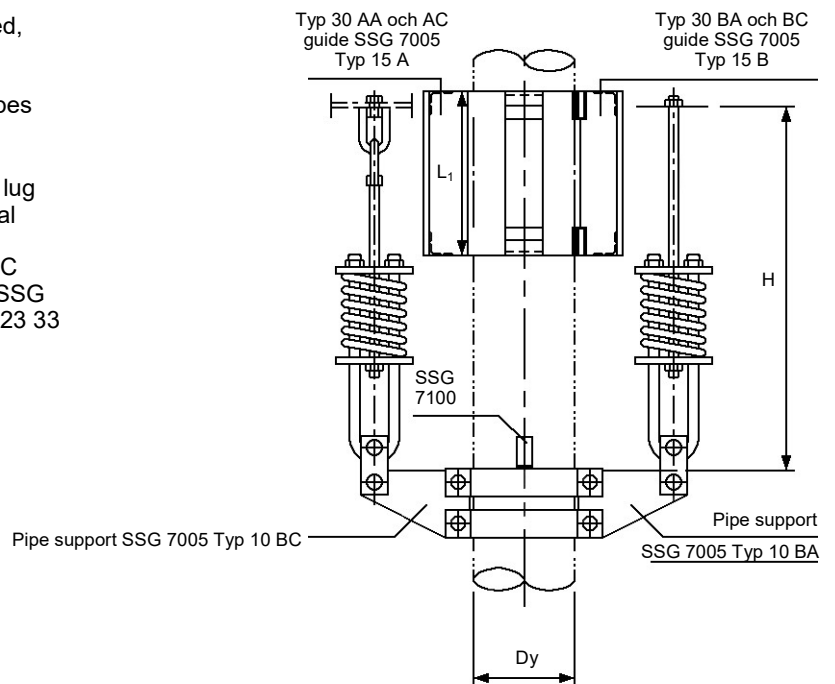
Type 30 AA and AC Spring guide for non-insulated, protective insulated and insulated pipes with max 80 mm thick insulation.

Type 30 BA and BC Spring guide for insulated pipes $\leq 200^\circ \text{C}$.

Designation: Spring guide SSG 7005 - Type - Dy
- H - Spring basket No - (L1) + Stop lug
SSG 7100 - Type - Number - Material
(in guide1)

Example.....: Spring guide SSG 7005 - Type 30 BC
- Dy 203 - H 900 - No 3 + Stop lug SSG
7100 - Type B - 2 pieces - SS Steel 23 33

For pipes $Dy \geq 43$



1) Is only indicated for Typ 30 BA

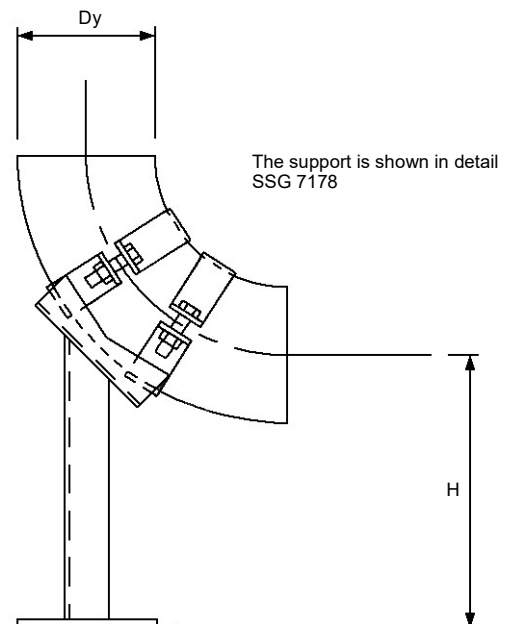
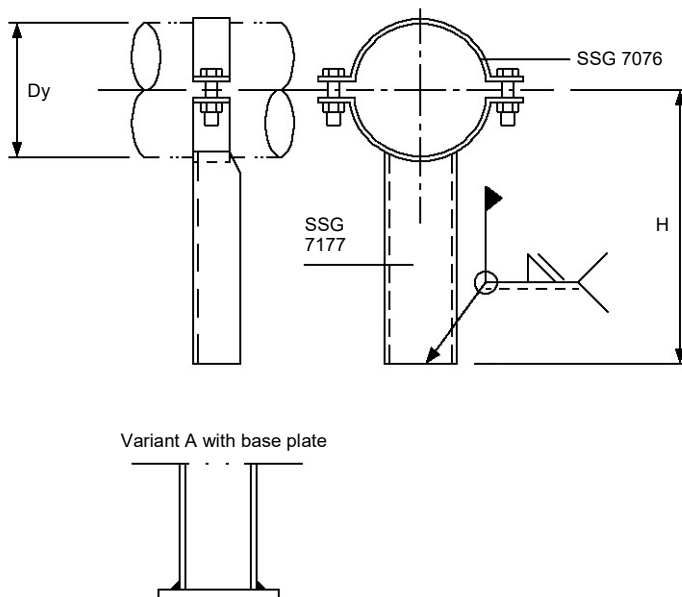
Type 31

Designation: Support SSG 7005 - Type and variant - Dy - H
Example.....: Support SSG 7005 - Type 31 A - Dy 153 - H 400
Dim. range 10 - 600

Type 32

Designation: Support SSG 7005 - Type and variant
- Dy - H
Example.....: Support SSG 7005 - Type 32 A - Dy 154
- H 500
Variant A Support for stainless steel pipe elbow SSG 1362
Variant B Support for steel pipe elbow SMS 2063
Variant C Support for steel pipe elbow SMS 2064

For pipes $Dy \leq 60,3$



PIPE SUPPORTS SSG STANDARD SSG 7005

Typ 33

Designation: Flexible support SSG 7005 - Type and variant - Dy - H - T

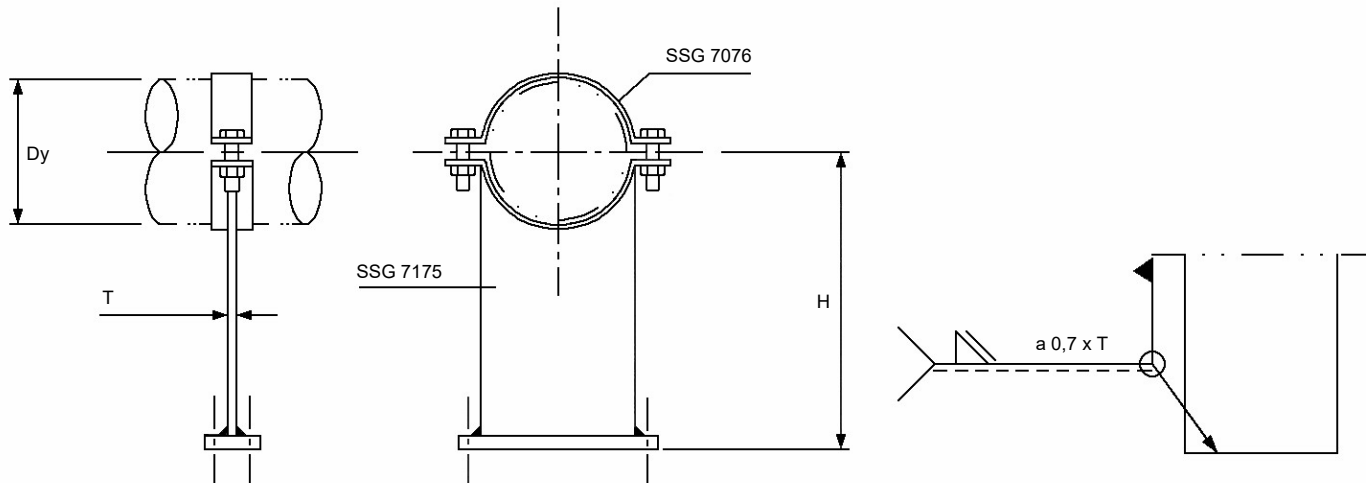
Example.....: Flexible support SSG 7005 - Type 33 B - Dy 154 - H 600 - T5

Variant A is bolted to the foundation.

Variant B is welded to the foundation after that the necessary part of any zinc coating has been ground off. Normally the support is delivered uncoated at the zone intended for erection welding.

Variant A with base plate.

For pipes $Dy \geq 43$



Type 36

Type 36 A Fix supports for non-insulated or protective pipes.

Type 36 B Fix support for insulated pipes.

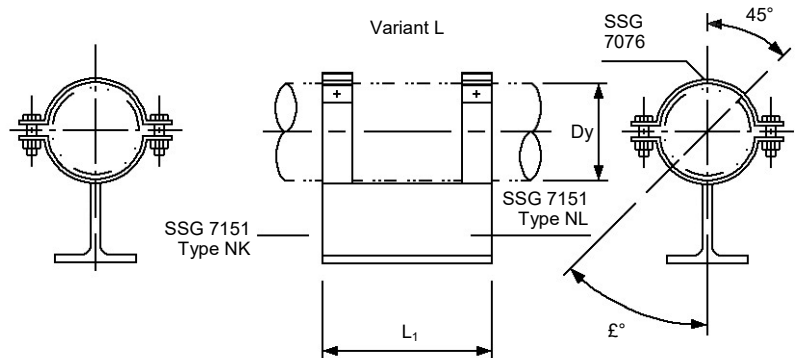
Designation: Fix SSG 7005 - Type - Dy

Example.....: Fix SSG 7005 - Type 36 A - Dy 154

The drawing is not standard.

For pipes $Dy \leq 610$

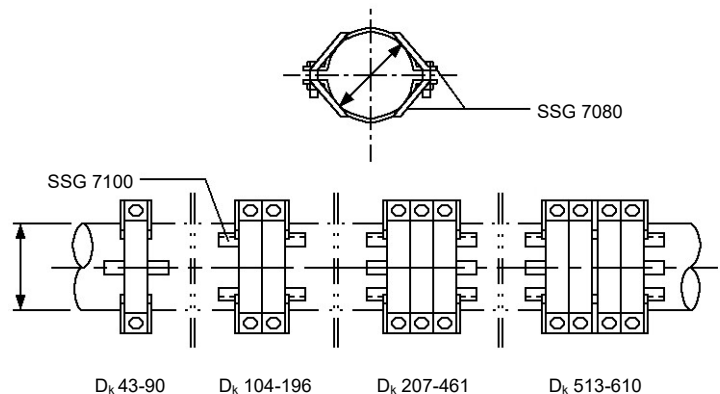
Information on material and surface treatment plus required height, length and permitted load is provided in SSG 7149.



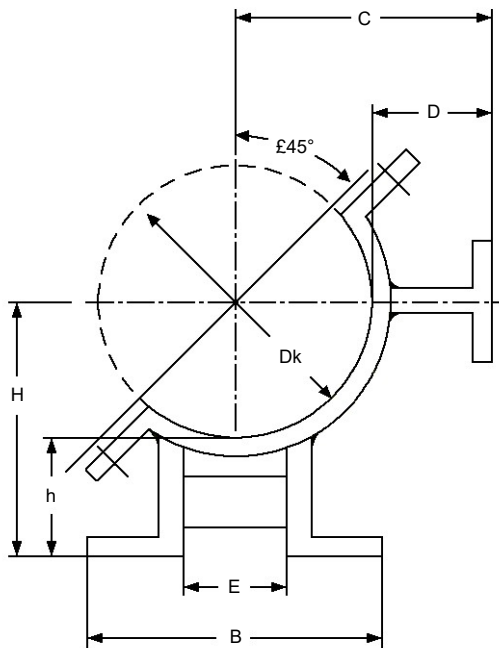
Type 38

Designation: Fix SSG 7005 - Type - Dk + Stop lug SSG 7100 - Type - Number

Example.....: Fix SSG 7005 - Type 38 - Dk 170 + Stop lug SSG 7100 - Type A - 4 pieces
Dim. range 10 - 600



PIPE SUPPORTS SSG STANDARD SSG 7005



Non-insulated SSG 7149					Insulated SSG 7151			
Dk	H	B	h	C	HB	h	C	
14					70	60	63	70
18					72	60	63	72
22					74	60	63	74
31					77	60	63	77
33					100	80	84	100
35					101	80	84	101
39					103	80	84	103
43					105	80	84	105
45					106	80	84	106
49					108	80	84	108
52	110	80	85	110	130	100	104	130
56	112	80	85	112	132	100	104	132
61	114	80	85	114	134	100	104	134
64	116	80	85	116	136	100	104	136
71	119	80	85	119	139	100	104	139
77	122	80	85	122	142	100	104	142
84	126	80	85	126	146	100	104	146
90	129	80	85	129	149	100	104	149
104	137	120	85	137	178	120	126	178
110	140	120	85	140	181	120	126	181
115	143	120	85	143	183	120	126	183
120	145	120	85	145	186	120	126	186
133	151	120	85	151	192	120	126	192
141	155	120	85	155	197	120	126	197
157	163	120	85	163	224	140	146	224
162	166	120	85	166	227	140	146	227
170	170	120	85	170	231	140	146	231
196	183	120	85	183	244	140	146	244
207	190	220	85	190	261	210	158	261
222	196	220	85	196	266	210	155	266
247	209	220	85	209	279	220	156	279
257	213	220	85	213	283	230	155	283
276	223	220	85	223	290	230	152	290
308	239	220	85	239	304	250	150	304
327	248	220	85	248	314	250	164	314
359	265	220	85	265	354	310	180	354
378	275	220	85	275	364	310	175	364
410	290	260	85	290	384	310	179	384
419	295	260	85	295	388	310	179	388
431	301	260	85	301	394	310	179	394
461	315	260	85	314	410	310	180	410
513	342	260	85	342	427	380	171	427
562	366	280	85	366	455	380	174	455
610	380	280	85	380	474	420	169	474
715	443	400	85	443	526	420	169	526
810	492	400	85	492	574	420	169	574